

Hartau Wall

The Hartau series brings together classical light fittings that are, at first glance, astonishing in their line and detail. They have been handmade in Canada using frosted glass, brass and painted aluminium.

The lampshades are the signature of this collection: with their two openings they offer both direct and indirect light to the wall or the ceiling. Each metal part of the Hartau collection is precision made in Quebec, Canada.

Design by Alexandre Joncas



Hartau Wall

LAMPING SPECIFICATIONS

Input voltage : 120V or 220-240V
 Power input : 8W
 Technology : G9 LED bulb (included)
 CRI : >90
 CCT : 3000K (Warm white)
 Lumen source : 350lm
 Dimmable : Yes ([Link for compatible dimmer](#))

PRODUCT WEIGHT 0.5 kg / 1.4 lbs

HEIGHT




A	B	C	D
17 cm (6.75 in)	29 cm (11.5 in)	44 cm (17.5 in)	60 cm (23.5 in)

*custom height available upon request



CERTIFICATIONS IP20  
 Designed and made in Canada

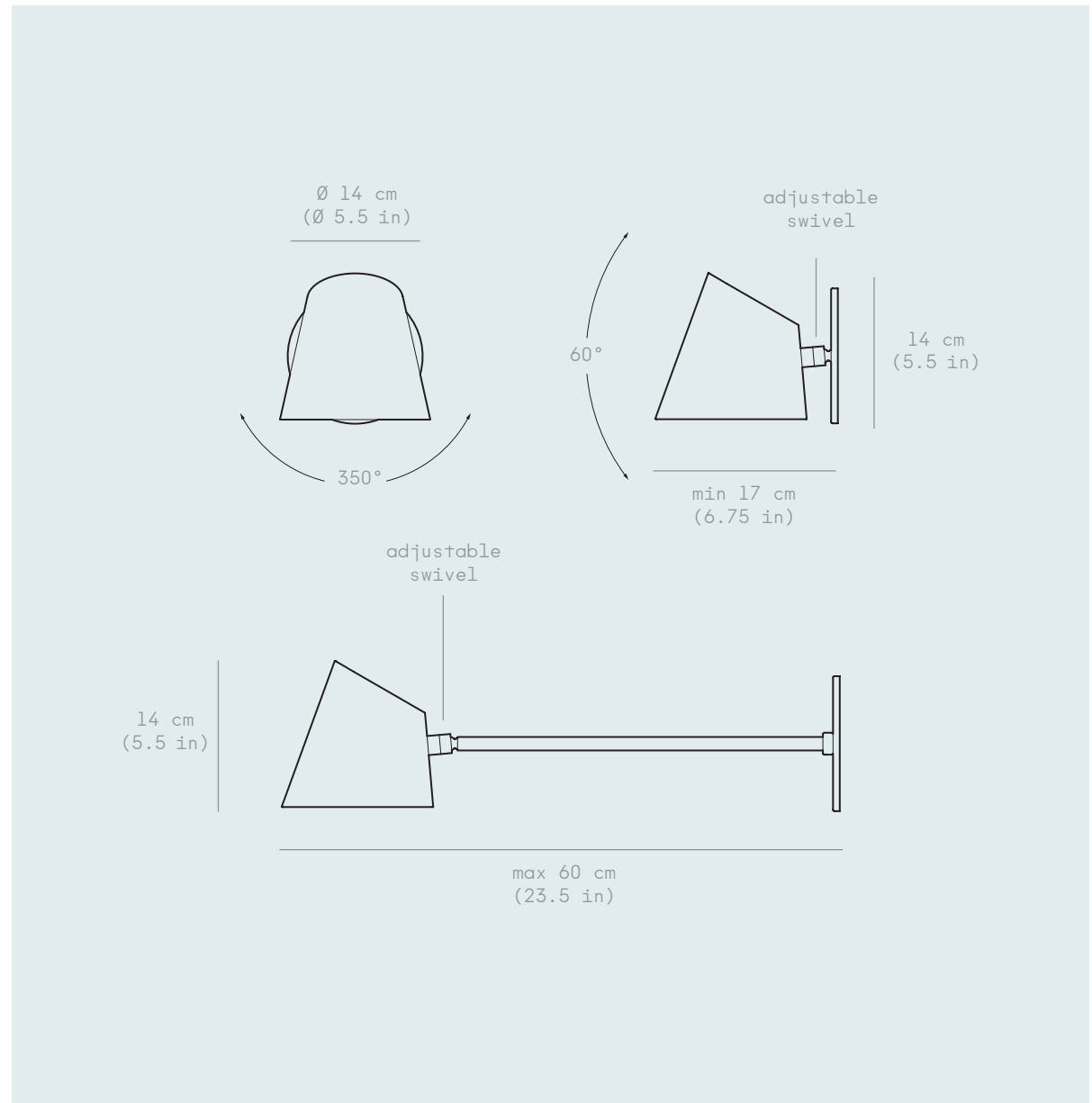
MATERIALS

EXTERIOR FINISHES :

-  Matte black
-  Matte white
-  Custom

SWILES & DETAILS FINISHES

-  Brass
-  Black Anodized



Order code generator	Serie	Model	Finish	Details	Voltage	Height	QTY
	HA Hartau	WA Wall	BL Matte Black WH Matte white ZZ Custom	BR Brass BA Black Anodized	11 120V 21 220-240V	A 17cm B 29cm C 44cm D 60cm Z Custom	.
Order code :	HA	WA	---		---		---