

# Hartau Triple

The Hartau series brings together classical light fittings that are, at first glance, astonishing in their line and detail. They have been handmade in Canada using frosted glass, brass and painted aluminium.

The lampshades are the signature of this collection: with their two openings they offer both direct and indirect light to the wall or the ceiling. Each metal part of the Hartau collection is precision made in Quebec, Canada.

Design by Alexandre Joncas



## Hartau Triple

**LAMPING SPECIFICATIONS**

Input voltage : 120V or 220-240V  
 Power input : 24W  
 Technology : G9 LED bulb (included)  
 CRI : >90  
 CCT : 3000K (Warm white)  
 Lumen source : 1050lm  
 Dimmable : Yes ([Link for compatible dimmer](#))

**PRODUCT WEIGHT** 1.8 kg / 4.2 lbs

**HEIGHT**




| A             | B             | C              | D              |
|---------------|---------------|----------------|----------------|
| 61 cm (24 in) | 89 cm (35 in) | 112 cm (44 in) | 201 cm (79 in) |

\*custom height available upon request



**CERTIFICATIONS** IP20    
 Designed and made in Canada

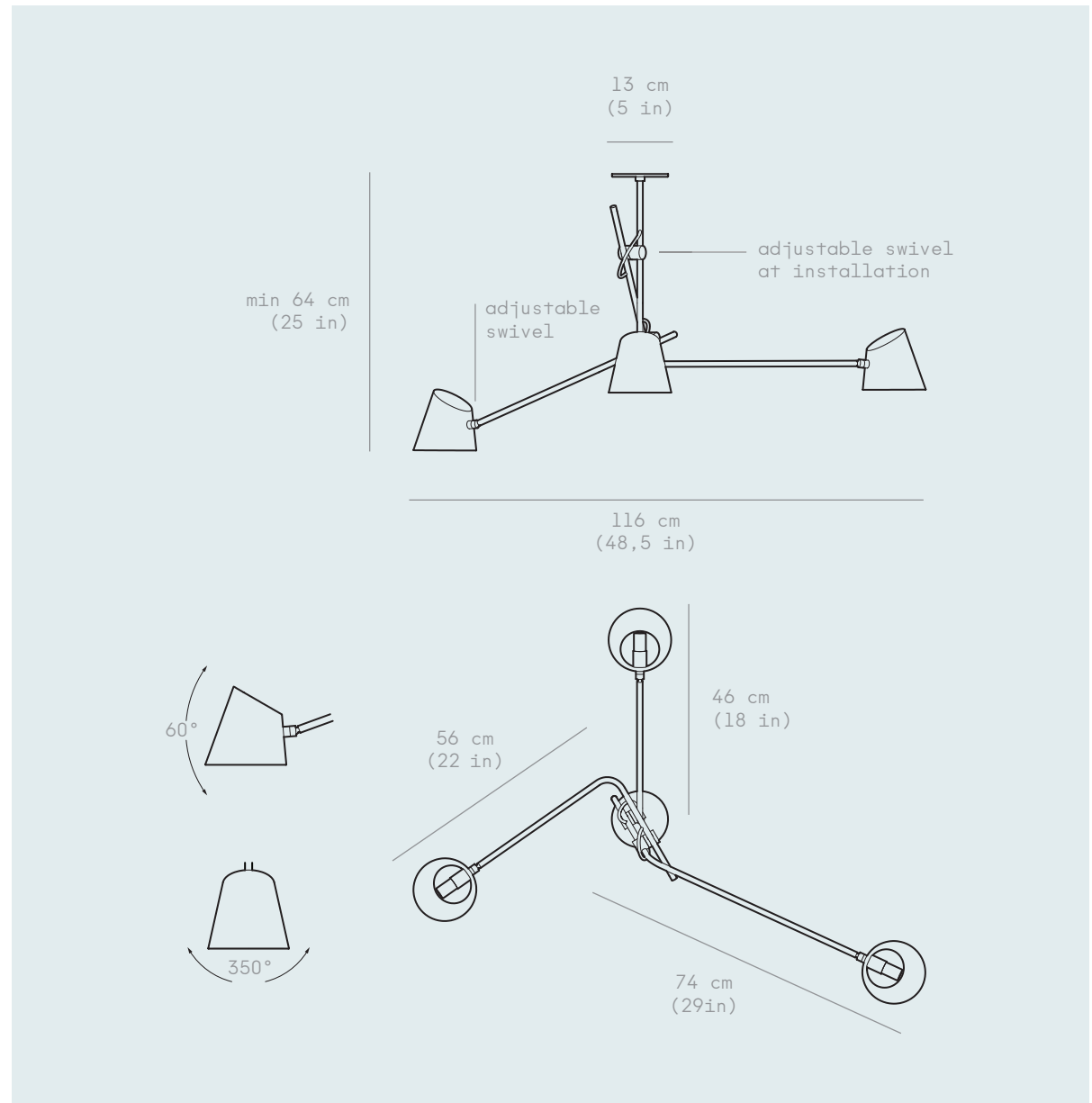
**MATERIALS**

**EXTERIOR FINISHES :**

-  Matte black
-  Matte white
-  Custom

**SWILES & DETAILS FINISHES**

-  Brass
-  Black Anodized



| Order code generator | Serie     | Model     | Finish  | Details                       | Voltage                 | Height   | QTY                   |
|----------------------|-----------|-----------|---|-------------------------------|-------------------------|--|-----------------------|
|                      | HA Hartau | TR Triple | BL Matte Black<br>WH Matte white<br>ZZ Custom | BR Brass<br>BA Black Anodized | 11<br>21<br>.<br>.<br>. | A 61cm<br>B 89cm<br>C 112cm<br>D 201cm<br>Z Custom | .<br>.<br>.<br>.<br>. |
| <b>Order code :</b>  | HA        | TR        | ---   |                               | ---                     |  | ---                   |