

1979 Pendant

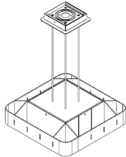
ASSEMBLY INSTRUCTIONS



Attention: Read and understand these instructions before installing fixture. This fixture is intended for installation in accordance with National Electric Code and local regulation : to assure full compliance with local code and regulations, check with your local electric inspector before installation. This equipment is guaranteed only when used as indicated in the instructions; therefore they should be kept for future reference. Install where luminaire will be protected from likely damage. This fixture is ceiling mounted only.

YOUR BOX SHOULD CONTAIN

1x assembled luminaire



2x cotton gloves

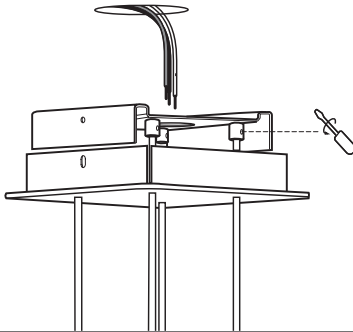


Unpack all components from the box and dispose of the packaging. Please recycle.

TOOLS NEEDED, NOT INCLUDED

- Junction box and screw
- Wire connectors
- Flat screwdriver
- Phillips screwdriver

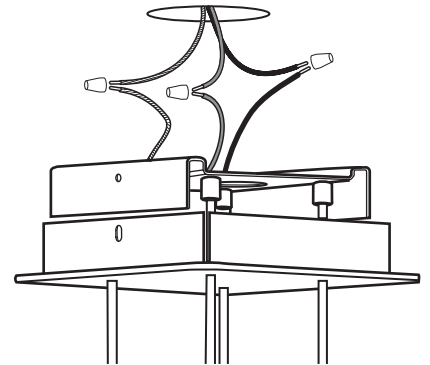
1 Loosen up the strain reliefs to the desired cable length by pushing or pulling the cable in the canopy. Once done, tighten back the strain reliefs.



2 Make the appropriate connections between the wires of the ceiling and those of the light fixture.

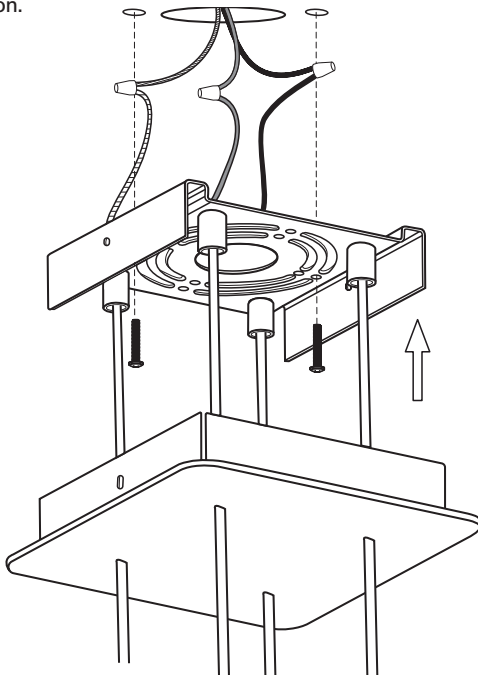
(Shut off main power at the circuit breaker panel)

Ceiling wires	Fixture wires	For Dali dimming 220V only
Live	120V Black	220V Brown
Neutral	White	Blue
Ground	Green screw	
		Purple + DC+
		Grey - DC-



3 Push up the universal plate to the ceiling.

Use appropriate anchors and screws to fasten the universal plate for your installation.



4 Push up the canopy to the ceiling.

Screw the canopy to the universal plate with provided screws.

