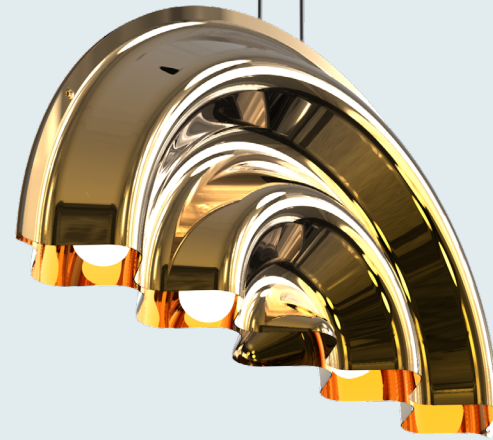


Doppler

Doppler channels the Doppler effect and reveals artwork that embodies the very essence of water: a brilliant shine associated with fluidity and surprising light reflections. Over several months of communication and knowledge transfer, artist Florian Martin and Darmes developed this collection. Whether in the forms of singular or triple pendants, floor lamps, or sconces, each Doppler piece beckons exploration of shape and perspective, unlocking a world of creative possibilities.



Doppler Pendant

LAMPING SPECIFICATIONS





Input voltage : 120V or 220-240V
 Power input : 32W
 Technology : LED Bulb/Replaceable (included)
 CRI : >90
 CCT : 3000K (Warm white) Other CCT available upon request
 Lumen source : 3200 lm
 Dimmable : Yes

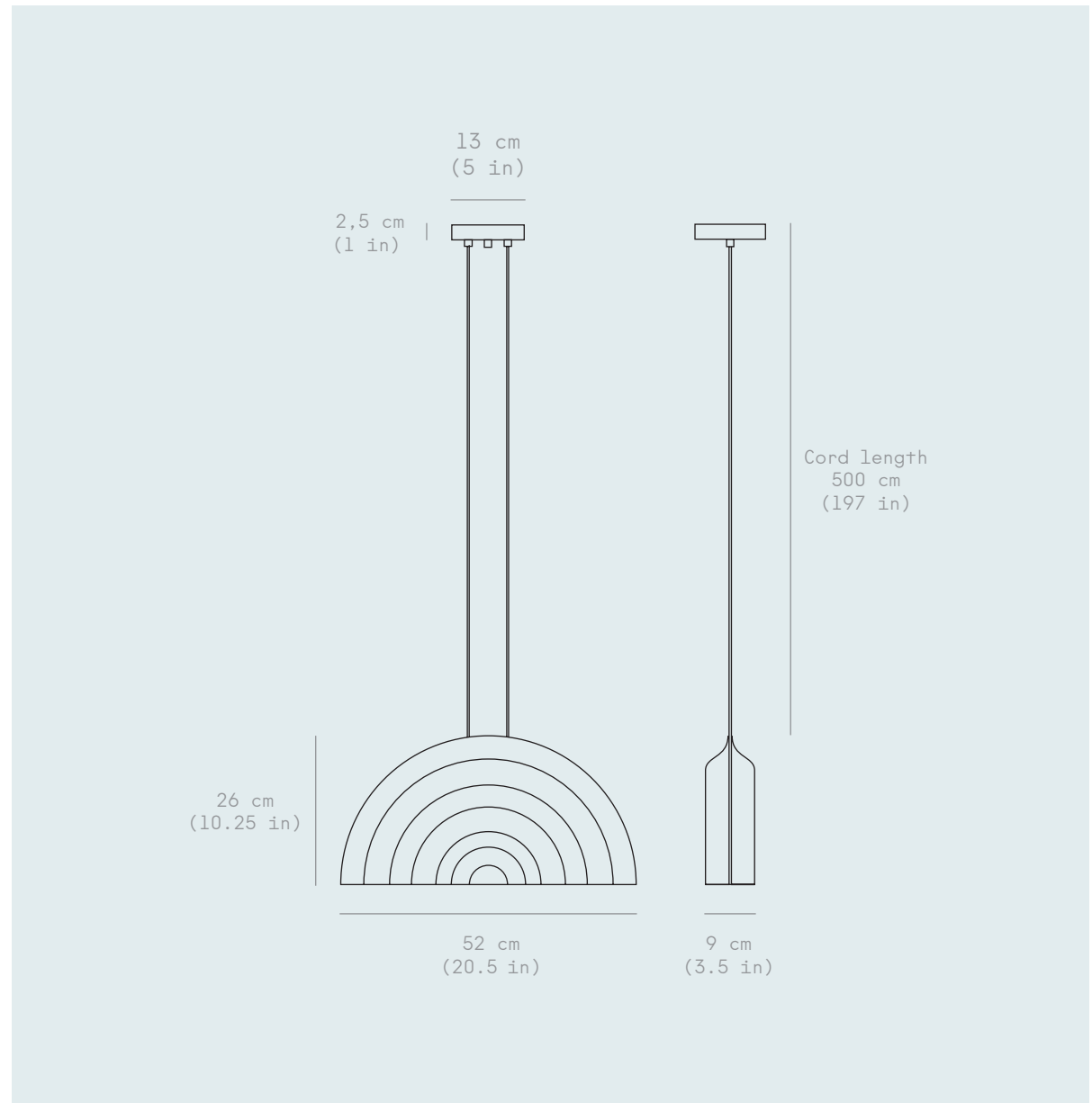
PRODUCT WEIGHT 2,9 kg / 6,4 lbs

CORD LENGTH 270 cm (106 in)
 *LENGHT ADJUSTABLE ALSO AVAILABLE IN LONGER LENGTH UPON REQUEST

CERTIFICATIONS IP20  
 Designed and made in Canada

MATERIALS EXTERIOR FINISHES :

-  Glossy Ivory
-  Glossy Black
-  Chrome
-  12k Gold



Order code generator	Serie	Model	Finish	Voltage	QTY
	DO Doppler	PE Pendant	IG Ivory	1 120V	.
	.	.	BG Black	2 220-240V	.
	.	.	CH Chrome	.	.
	.	.	GO Gold	.	.
Order code :	DO		---	---	---