

RA Suspension Glossy Black Brass

# RA Series

## RA Suspension

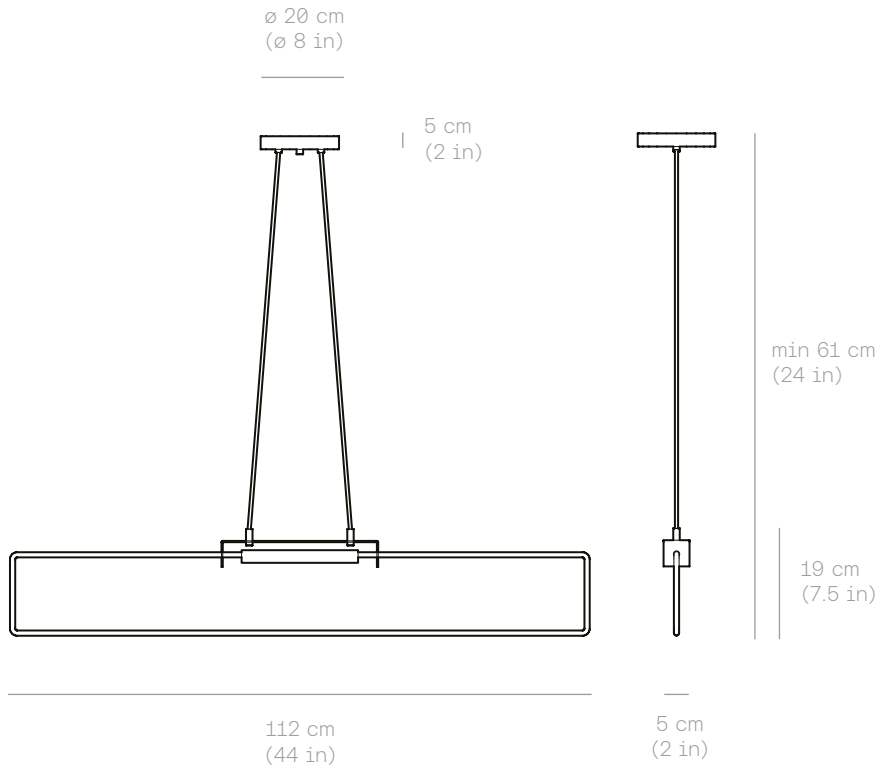
Design by Alexandre Joncas

RA Pendant, modern with simple lines, is suspended by silicon cables at a slight angle. Mounted above a table, its warm light conjures memories of an evening around a campfire.



# RA Suspension

Design by Alexandre Joncas



## Lamping Specifications

Input voltage : 120V or 220-240V  
 Power input : 45W  
 Technology : Cold cathode neon, lifetime of 100 000h  
 CCT\* : 3000K (Warm white)  
 Lumen source : 1800 lm  
 CRI : 94  
 Dimmable : 120V no, 220-240V DALI\* ([Link for compatible dimmer](#))

\* 1-10V and other CCT available upon request.

## Product Weight

2.4 kg / 5.2 lbs

## Height

A	B	C	D
61 cm (24 in)	89 cm (35 in)	112 cm (44 in)	201 cm (79 in)

\*custom height available upon request

## Certifications

IP20 

Designed and made in Canada

## Materials

Canopy & bracket :

Details finishes :

 Glossy White

 Black Oxide

 Glossy Black

 Brass

Order code generator	Serie	Model	Finish	Details	Voltage	Height	QTY
	RA RA	SU Suspension	WG Glossy White	OX Black Oxide	11 120V	A 61 cm	.
	.	.	BG Glossy Black	BR Brass	21 220-240V	B 89 cm	.
	.	.	.	.	.	C 112 cm	.
	.	.	.	.	.	D 201 cm	.
	.	.	.	.	.	Z Custom	.
Order code :	RA	SU	---	---	---	---	---

