



Hartau Tripple Matt Black Black Anodized

Hartau Series

Hartau Tripple

Design by Alexandre Joncas

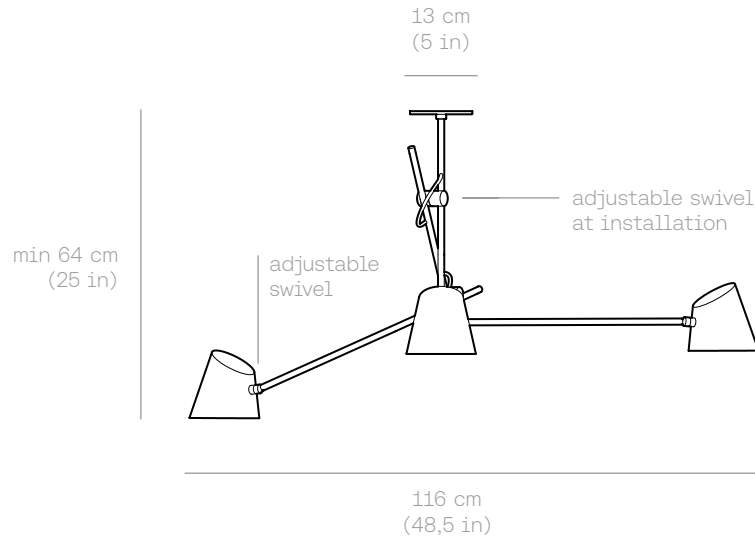
The Hartau series brings together classical light fittings that are, at first glance, astonishing in their line and detail. They have been handmade in Canada using frosted glass, brass and painted aluminium.

The lampshades are the signature of this collection: with their two openings they offer both direct and indirect light to the wall or the ceiling. Each metal part of the Hartau collection is precision made in Quebec, Canada.



Hartau Triple

Design by Alexandre Joncas



Lamping Specifications

Input voltage : 120V or 220-240V
 Power input : 24W
 Technology : G9 LED bulb (included)
 CRI : >90
 CCT : 3000K (Warm white)
 Lumen source : 1050 lm
 Dimmable : Yes ([Link for compatible dimmer](#))

Product Weight

1.8 kg / 4.2 lbs

Height

A	B	C	D
61 cm (24 in)	89 cm (35 in)	112 cm (44 in)	201 cm (79 in)

**custom height available upon request*

Certifications




IP20  



Designed and made in Canada

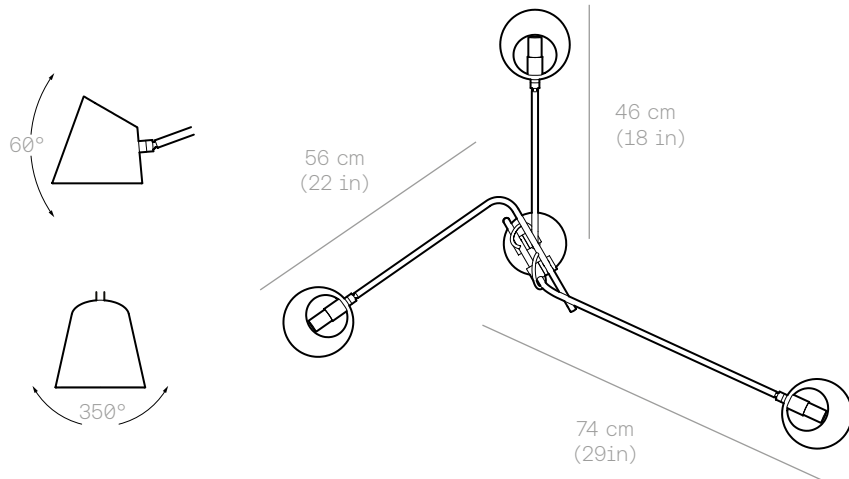
Materials

Exterior finishes :

Swivels & details finishes :

-  Matte Black
-  Matte White
-  Custom

-  Brass
-  Black Anodized



Order code generator	Serie	Model	Finish	Details	Voltage	Height	QTY
	HA Hartau	TR Triple	BL Matte Black	BR Brass	11	A 61 cm	.
	.	.	WH Matte White	BA Black Anodized	21	B 89 cm	.
	.	.	ZZ Custom	.	.	C 112 cm	.
	D 201 cm	.
	Z Custom	.
Order code :	HA	TR	---	---	---	---	---

