



Hartau Series

Hartau Table

The Hartau series brings together classical light fittings that are, at first glance, astonishing in their line and detail. They have been handmade in Canada using frosted glass, brass, painted aluminium and black marble.

The lampshades are the signature of this collection: with their two openings they offer both direct and indirect light. Each metal part of the Hartau collection is precision made in Quebec, Canada.

Design by Alexandre Joncas

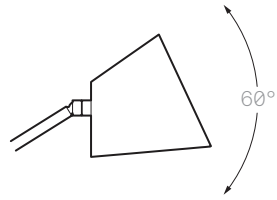
d'Armes

Hartau Table Matt Black Black Anodized

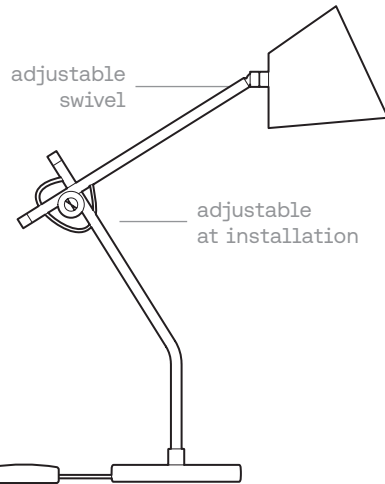
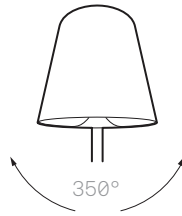
©Studio d'Armes Inc. | +1 514 225 4139 | info@darmes.ca | Rev. 2023-05-31

Hartau Table

Design by Alexandre Joncas



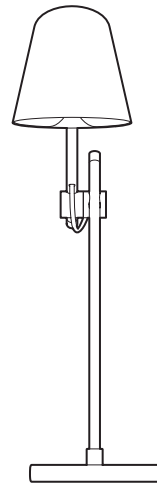
44 cm
(17 in)



adjustable
swivel

adjustable
at installation

dimmer



56.5
cm(22 in)

Ø 17.5 cm
(Ø 7 in)

Lamping Specifications

Input voltage : 120V or 220-240V
Power input : 8W
Technology : G9 LED bulb (included)
CRI : >90
CCT : 3000K (Warm white)
Lumen source : 350 lm
Dimmable : Yes, on cord

Product Weight

0.5 kg / 1.4 lbs

Construction

Black marble base
Black wire with dimmer on cord

Certifications

IP20

Designed and made in Canada

Materials

Exterior finishes :

- Matte Black
- Matte White
- Custom

Swivel & details finishes :

- Brass
- Black Anodized



Order code generator	Serie	Model	Finish	Details	Voltage	QTY
	HA Hartau	TA Table	BL Matte Black	BR Brass	11 120V	.
	.	.	WH Matte White	BA Black Anodized	21 220-240V	.
	.	.	ZZ Custom	.	.	.
Order code :	HA	TA	---	---	---	---