



Joncas

EDL 3A with clear transparent glass diffuser

## Pendant Light

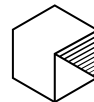
# ETAT-DES-LIEUX

Design by Alexandre Joncas

Etat-des-Lieux, a contemporary lighting system defined by its variable silhouette, pays homage to the scenic Laurentian mountains and their majestic reflections in nearby waters. Engineered using innovative design and unique technical savvy, the timeless geometric installation inspired by the beauty of the landscape, is infused with precision and poetry.

Clean-lined and aesthetically spare, the versatile structure can be configured according to the demands of any space it inhabits, whether public or residential. Starting from a base foundation of one light point, Etat-des-Lieux can be arranged in countless ways, growing in space in any orientation, it can include multitudinous light modules to create a monumental and striking centrepiece.

Hollowed light points with soft rounded edges, available in five various mood-setting tints of glass, hang from flat straps that can be adjusted to the desired length. Playful and unconventional, it also allows for an orientation of the light beam, either up or down, setting a mystifying atmosphere.



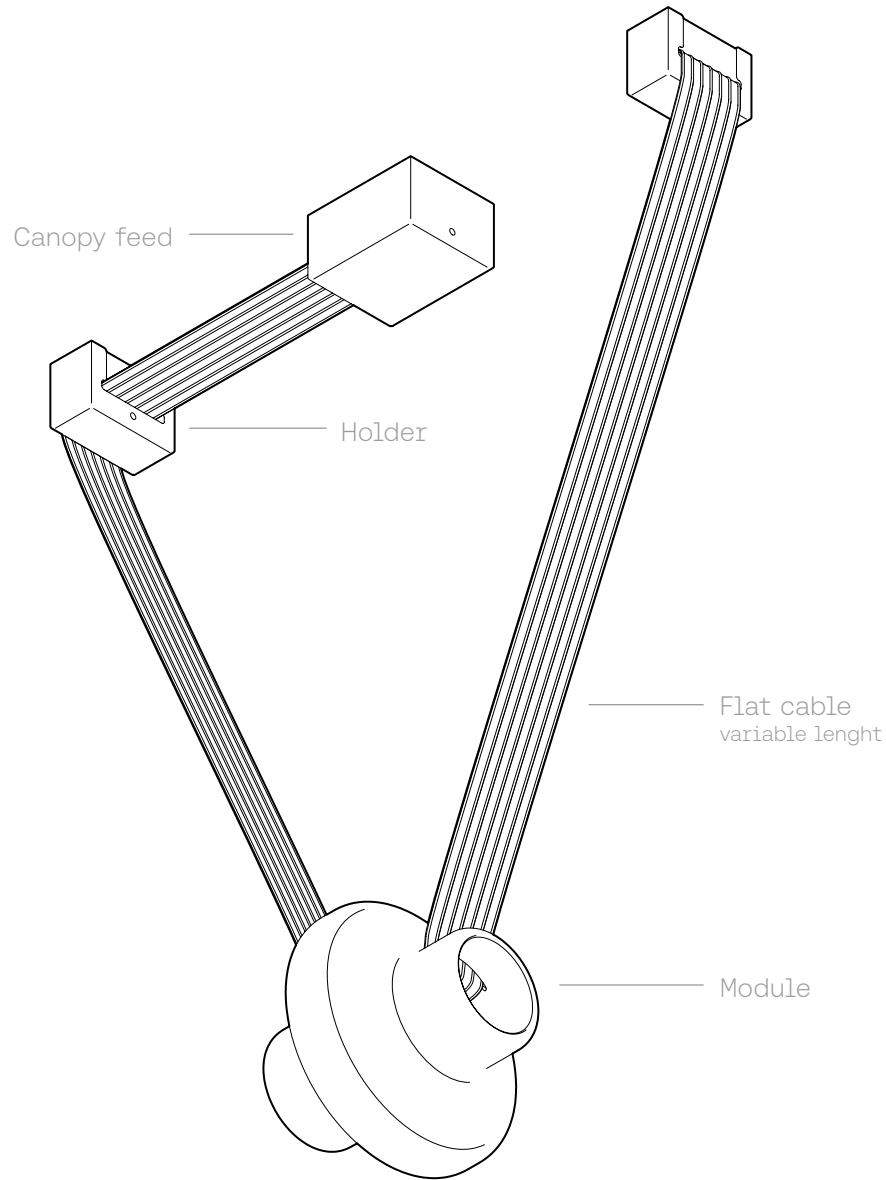
**archiproducts**

DESIGN AWARDS

—  
WINNER 2020

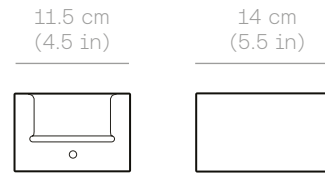
# ETAT-DES-LIEUX

## Specifications



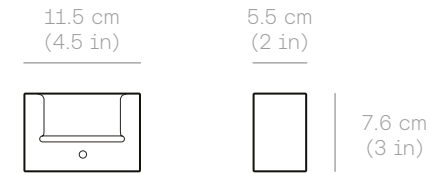
### Canopy feed:

Mounted on a regular junction box. Aluminum mat black painted.



### Cable holder:

Used to hold the module in line.

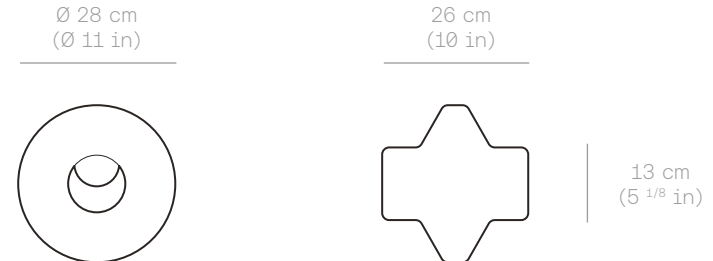


### Flat cable:

The extruded black matt polyurethane strap is all in one the electrical conductor and support of the module. Length adjustable on site.



### Glass diffuser:



# ETAT-DES-LIEUX

## Specifications

### Module / Light engine:

The light engine is composed of a led board, aluminum heatsink and a glass frosted diffuser fixed along the flat cable, it can be either direct or indirect. Enclosure is made of handmade blowinglass. It uses the technology Dim to warm or can simply be preset to a fix color temperature.

### Lamping specifications:

Input voltage : 120V or 220-240V

Power input : 9.7W/Module

Technology : Intergrated LED

Lumen source : 1288 lm/Module

CRI : ≥93

Dimmable : 0-10V, Triac ([Link for compatible dimmer](#))

### LED CCT

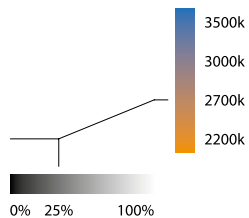
2700K fix or dim to warm at 2200K

3000K fix or dim to warm at 2200K

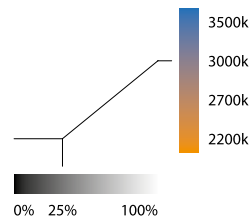
3500K fix or dim to warm at 2200K

4000K fix only

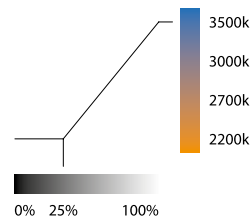
Dim to warm  
2700K to 2200K



Dim to warm  
3000K to 2200K



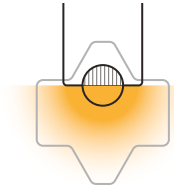
Dim to warm  
3500K to 2200K



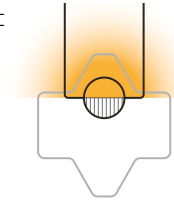
*\*other fix CCT available upon request*

### Light emission:

Direct



Indirect



*\*Direct & Indirect offered for configurations with more than 1 module.*

### Glass diffuser colors:

- Clear Grey
- Clear transparent
- Clear pink
- Clear amber
- Frosted Grey
- Frosted Transparent
- Frosted pink
- Frosted Amber
- Custom

Certifications: IP20

### Configurations:

Different configurations available for quick ordering code, place multiple configuration together to create your own design.

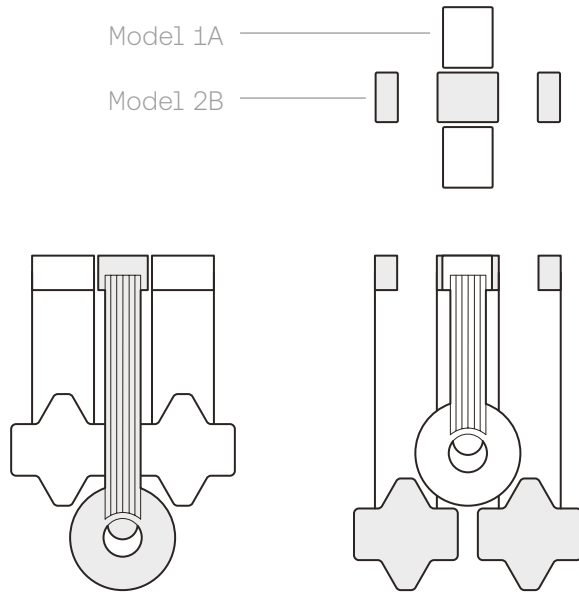


# ETAT-DES-LIEUX

## Specifications

Place multiple configurations together to create your own design.

Exemple shown is one of many ways possible.



EDL Custom with clear pink and frosted transparent glass diffuser.

Order code generator	Serie	Model	Finish**	CCT	LED	Emission**	Voltage-Dimming	Dimension***	QTY
EDL	État des Lieux	1A	CG Clear Grey	27 2700K	F Fix	D Direct	1 120V 0-10V	A	.
.		1B	CT Clear Transparent	30 3000K	D Dim to warm	I Indirect	2 120V Triac	B	.
.		1C	CP Clear Pink	35 3500K	.	H Direct/Indirect*	3 220-240V 0-10V	C	.
.		2A	CA Clear Amber	40 4000K	.	.	4 220-240V Triac	D	.
.		2B	FG Frosted Grey	ZZ Custom	.	.	.	Z	.
.		2C	FT Frosted Transparent	.	.	.	.	.	.
.		3A	FP Frosted Pink	.	.	.	.	.	.
.		3B	FA Frosted Amber	.	.	.	.	.	.
.		.	ZZ Custom	.	.	.	.	.	.
Order code :	EDL	---	---	---	---	---	---	---	---

\*Direct/ Indirect only available for configurations with more than 1 module.

\*\* Finish and Emission applies to all modules of the same configuration. Possible to choose different finish and emission on a configuration upon request.

\*\*\*Dimensions see pages 5 to 11

darmes.ca +1 514 225 4139

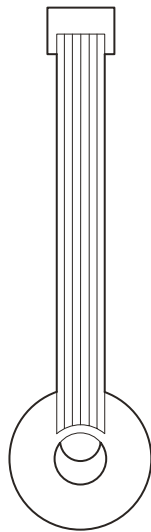
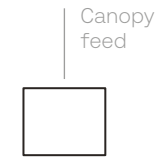
info@darmes.ca



# ETAT-DES-LIEUX

Model 1A

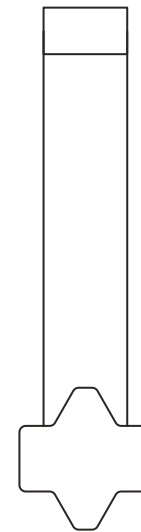
Model	Dimension	Width (W)	Depth (D)
1A	A	61cm (24in)	
	B	89cm (35in)	26cm (10in)
	C	112cm (44in)	28cm (11in)
	D	201cm (79in)	



Depth

Length

min 61 cm  
(24 in)



Width

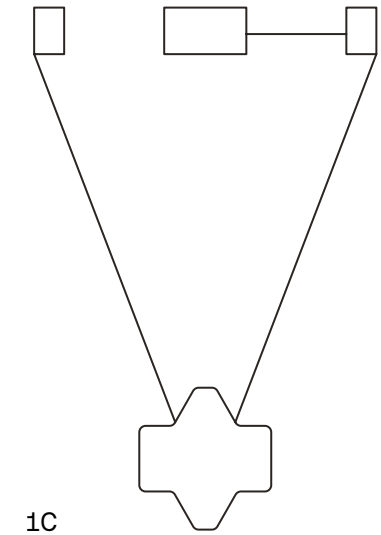
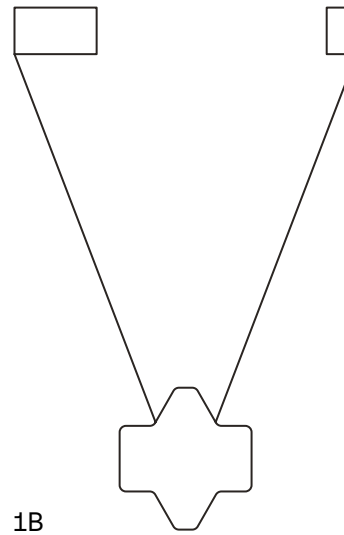
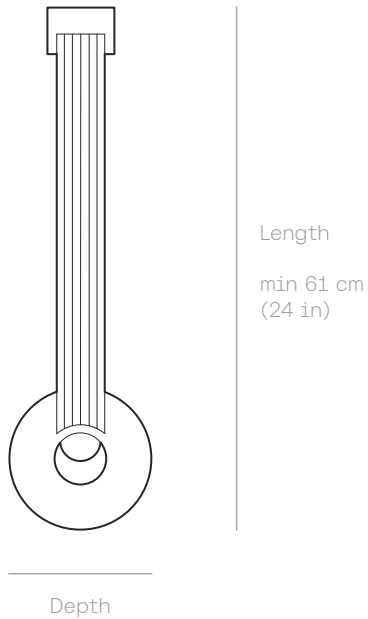
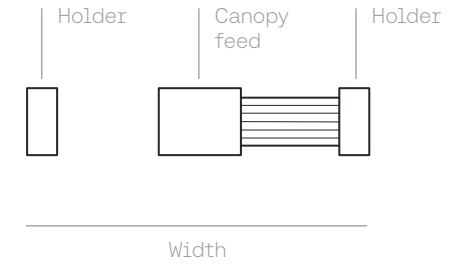
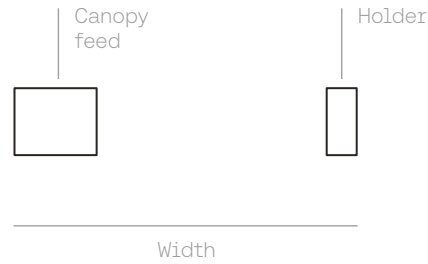


# ETAT-DES-LIEUX

Model 1B / 1C

Model	Dimension	Width (W)*	Depth (D)
1B 1C	A	61cm (24in)	41.7cm (16.4in)
	B	89cm (35in)	59cm (23.3in)
	C	112cm (44in)	78cm (30.8in)
	D	201cm (79in)	151.6cm (59.7in)

\*The dimensions are calculated with an angle of 45 deg. Length of strap can only be shorten on site unless custom dimensions are provided.

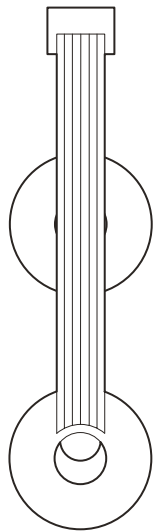


# ETAT-DES-LIEUX

Model 2A

Model	Dimension	Width (W)*	Depth (D)
2A	B	89cm (35in)	64.7cm (25.5in)
	C	112cm (44in)	83.8cm (33in)
	D	201cm (79in)	157.5cm (62in)

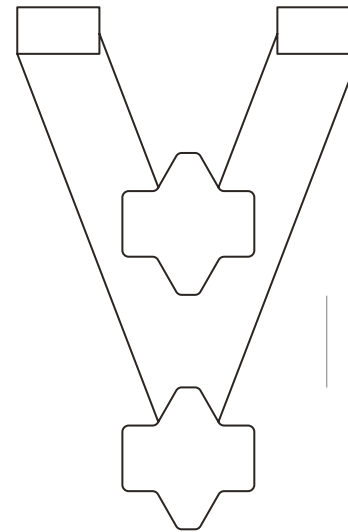
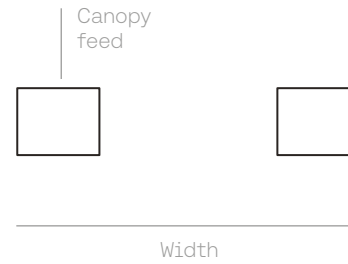
*\*The dimensions are calculated with an angle of 45 deg. Length of strap can only be shorten on site unless custom dimensions are provided.*



Depth

Length

min 89 cm  
(35 in)



Spacing

min 14cm  
(5.5 in)

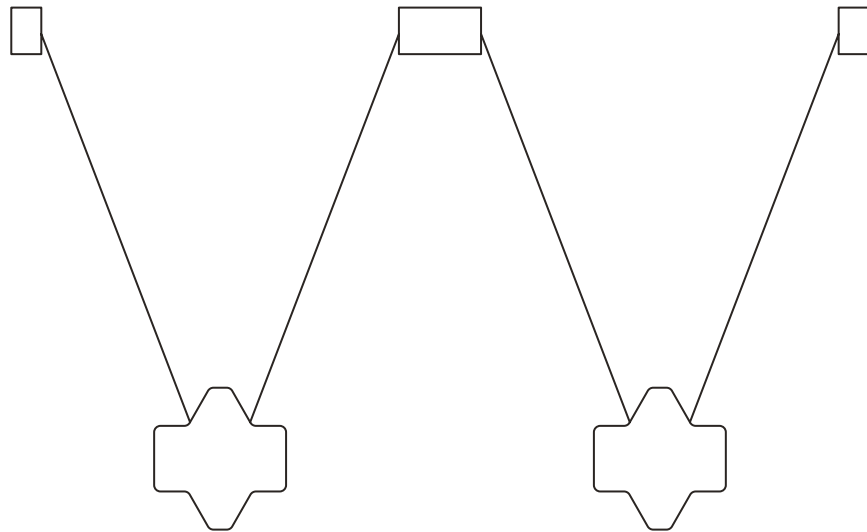
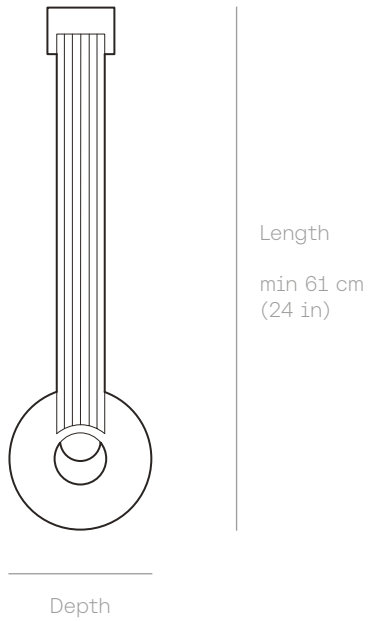
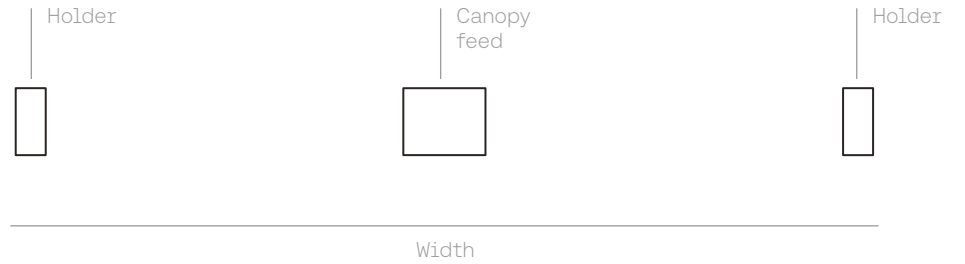


# ETAT-DES-LIEUX

Model 2B

Model	Dimension	Width (W)*	Depth (D)
2B	A	61cm (24in)	94.8cm (37.3in)
	B	89cm (35in)	141cm (55.5in)
	C	112cm (44in)	179cm (70.5in)
	D	201cm (79in)	326cm (128.4in)

*\*The dimensions are calculated with an angle of 45 deg. Length of strap can only be shorten on site unless custom dimensions are provided.*



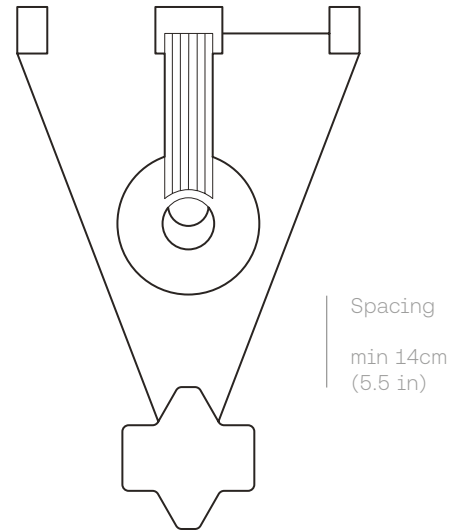
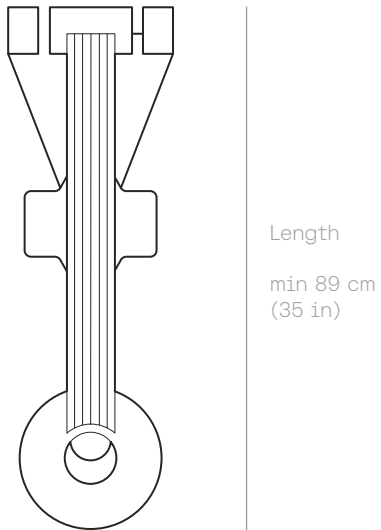
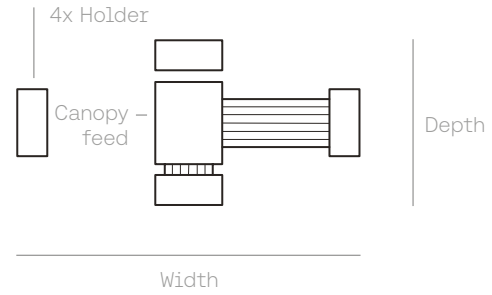


# ETAT-DES-LIEUX

Model 2C

Model	Dimension	Width (W)*	Depth (D)
2C	B	89cm (35in)	29.7cm (11.7in)
	C	112cm (44in)	48.3cm (19in)
	D	201cm (79in)	122cm (48in)

\*The dimensions are calculated with an angle of 45 deg. Length of strap can only be shorten on site unless custom dimensions are provided.

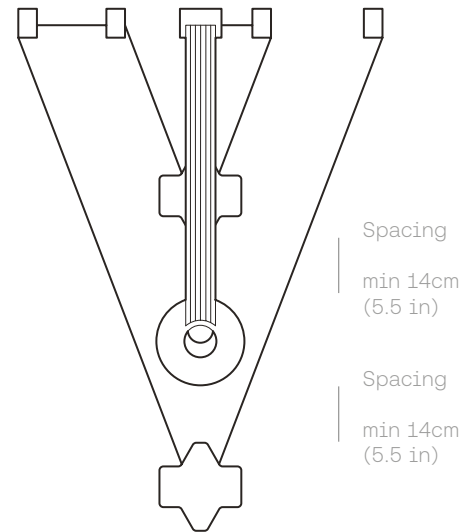
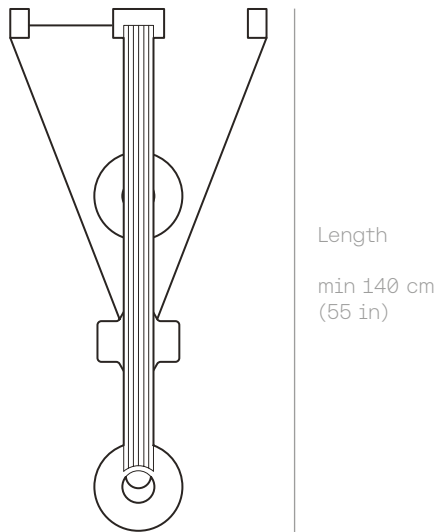
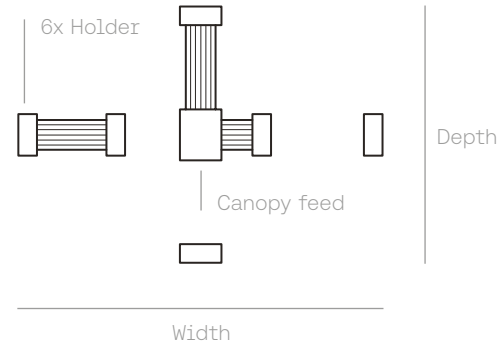


# ETAT-DES-LIEUX

Model 3A

Model	Dimension	Width (W)*	Depth (D)
3A	C	140cm (55in)	71.6cm (28.2in)
	D	201cm (79in)	122cm (48in)

\*The dimensions are calculated with an angle of 45 deg. Length of strap can only be shorten on site unless custom dimensions are provided.

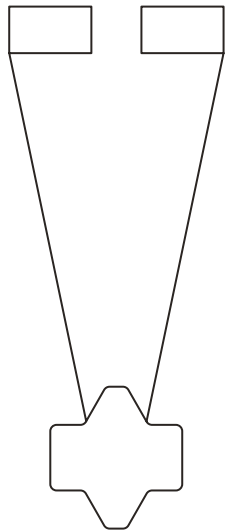
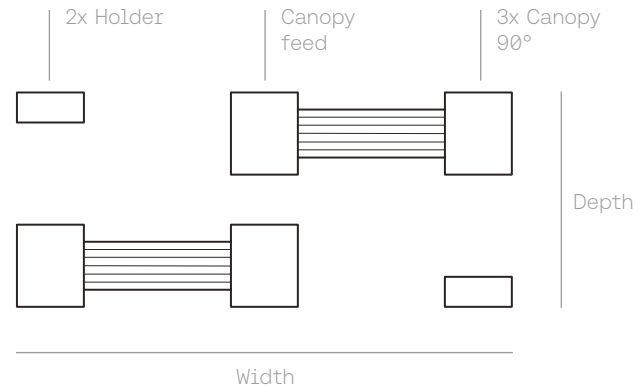


# ETAT-DES-LIEUX

Model 3B

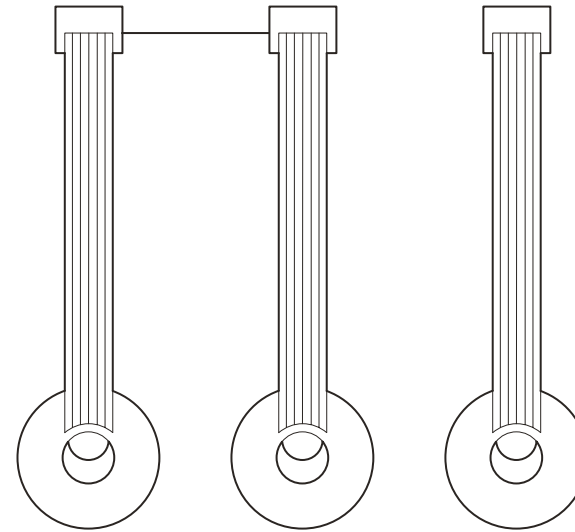
Model	Dimension	Width (W)*	Depth (D)
3B	A 61cm (24in)	152.4cm (60in)	41.7cm (16.4in)
	B 89cm (35in)		59cm (23.3in)
	C 112cm (44in)		78cm (30.8in)
	D 201cm (79in)		151.6cm (59.7in)

\*The dimensions are calculated with an angle of **20 deg**. Length of strap can only be shorten on site unless custom dimensions are provided.



Length

min 61 cm  
(24 in)



Spacing  
25.4cm (10in)

