



Hartau Series

# Hartau Wall

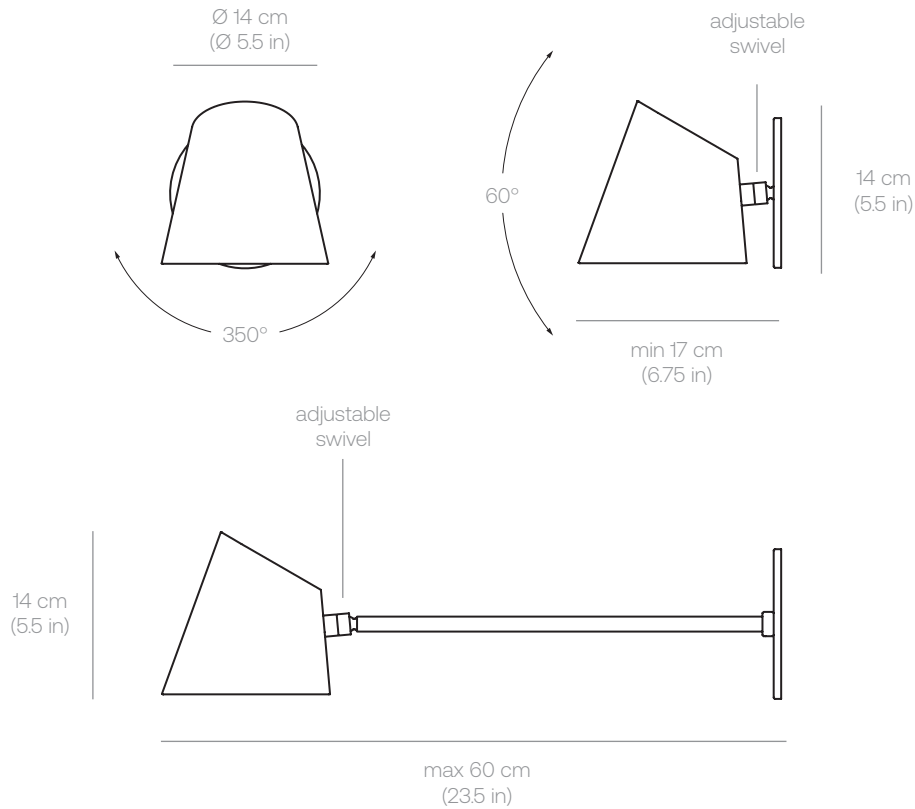
The Hartau series brings together classical light fittings that are, at first glance, astonishing in their line and detail. They have been handmade in Canada using frosted glass, brass and painted aluminium.

The lampshades are the signature of this collection: with their two openings they offer both direct and indirect light to the wall or the ceiling. Each metal part of the Hartau collection is precision made in Quebec, Canada.

Design by Alexandre Joncas

# Hartau Wall

Design by Alexandre Joncas



## Lamping Specifications

Input voltage : 120V or 220-240V  
 Power input : 8W  
 Technology : G9 LED bulb (included)  
 CRI : >90  
 CCT : 3000K (Warm white)  
 Lumen source : 350 lm

## Product Weight

0.5 kg / 1.4 lbs

## Lenght

A	B	C	D
17 cm (6.75 in)	29 cm (11.5 in)	44 cm (17.5 in)	60 cm (23.5 in)




\*custom length available upon request

## Certifications



IP20  

## Materials

### Exterior finishes :

-  Matte Black
-  Matte White
-  Custom

### Swivel and details finishes :

-  Brass
-  Black Anodized

Order code generator	Serie	Model	Finish	Details	Voltage	Height	QTY
HA	Hartau	WA Wall	BL Matte Black	BR Brass	11 120V	A 17 cm	.
.	.	.	WH Matte White	BA Black Anodized	21 220-240V	B 29 cm	.
.	.	.	ZZ Custom	.	.	C 44 cm	.
.	.	.	.	.	.	D 60 cm	.
.	.	.	.	.	.	Z Custom	.
Order code :	HA	WA	---	---	---	---	---

