



État des Lieux 1C

Assembly instructions



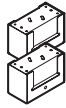
Attention: Read and understand these instructions before installing fixture. This fixture is intended for installation in accordance with National Electric Code and local regulation : to assure full compliance with local code and regulations, check with your local electric inspector before installation. This equipment is guaranteed only when used as indicated in the instructions; therefore they should be kept for future reference. Install where luminaire will be protected from likely damage. This fixture is ceiling mounted only.

Your box should contain

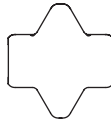
1x Canopy feed box assembly



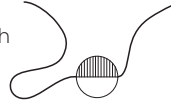
2x Support box



1x Glass module



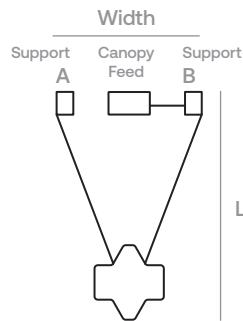
1x Flat cable with light



Tools needed, not included

- 2x 8-32 screws for junction box
- 5x wire connectors for junction box
- Screwdriver phillips and flat

1 Measure, mark, and drill appropriate hole distance to mount backplate of canopies and supports to ceiling. Install anchors if needed (not included).



Model	Code	Length	Width	Depth
1C	A	61cm (24in)	41.7cm (16.4in)	
	B	89cm (35in)	59cm (23 1/4in)	28cm (11in)
	C	112cm (44in)	78cm (30 3/4in)	
	D	201cm (79in)	151.6cm (59.7in)	

*The dimensions are calculated with an angle of 45 deg of the straps, from the center of the canopies and supports.

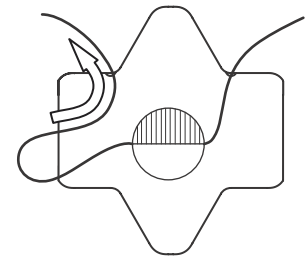
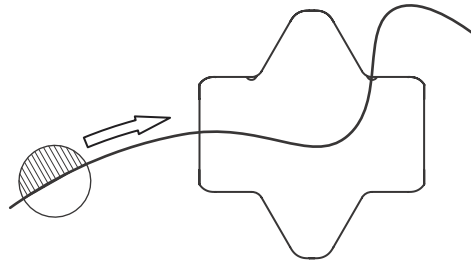


Unpack all components from the box and dispose of the packaging. Please recycle.

2 Gently insert the flat cable into the glass globe one side at a time.

Make sure the light globe doesn't rub the glass globe.

Make sure the light face the desired direction.



Adjust and set it aside for next steps



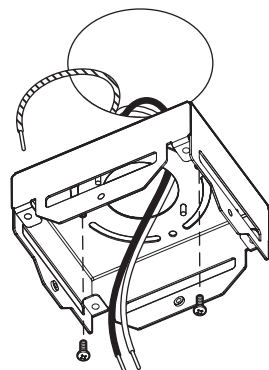
CAUTION Risk of electrocution
Shut off main power at the circuit breaker panel)

3 For ease of installation, you can remove the driver block by unscrewing the 2 wing nuts.

Attache ceiling's ground wire to backplate ground screw. Make sure other wires go thru backplate center hole as illustrated.

Screw backplate to junction box with the 2 required screws (not included).

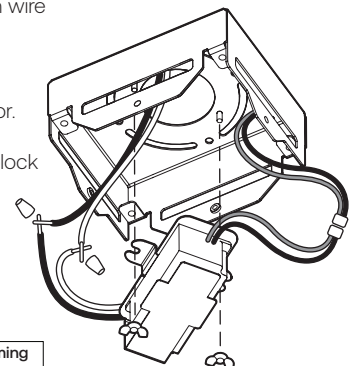
Make sure to install the backplate the side where the strain relief will meet the cable.



4 Make appropriate connexions with wire bundle provided to ceiling wiring.

Make sure red and black wires are connected with the black connector.

If taken off, screw back the driver block in place.



Ceiling wires	Fixture wires	For 0-10V dimming
Live	120V Black	Purple + DC+
Neutral	220V White	Grey - DC-
Ground	Green screw	

État des Lieux 1C

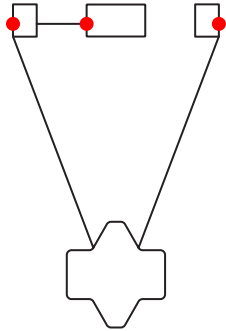
Assembly instructions



Attention: Read and understand these instructions before installing fixture. This fixture is intended for installation in accordance with National Electric Code and local regulation : to assure full compliance with local code and regulations, check with your local electric inspector before installation. This equipment is guaranteed only when used as indicated in the instructions; therefore they should be kept for future reference. Install where luminaire will be protected from likely damage. This fixture is ceiling mounted only.

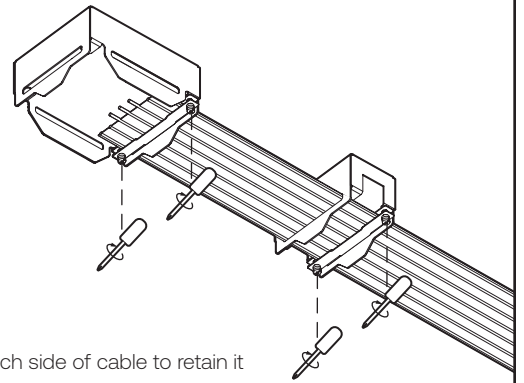
5 Screw all the supports backplate on ceiling. (Screws not included)

● Strain relief



Make sure to install the backplate the side where the strain relief will meet the cable.

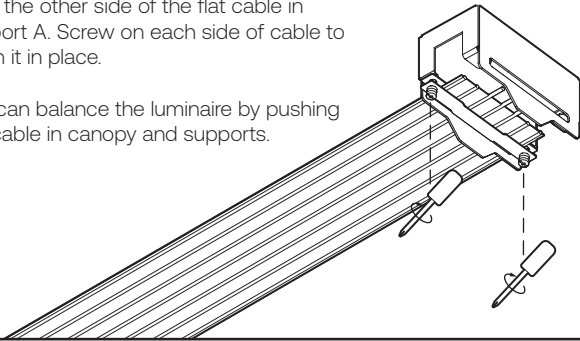
6 Pass the longest side of the flat cable thru support B. Then pass the same flat cable in strain relief in canopy. (Loosen captive screws for better passing of cable)



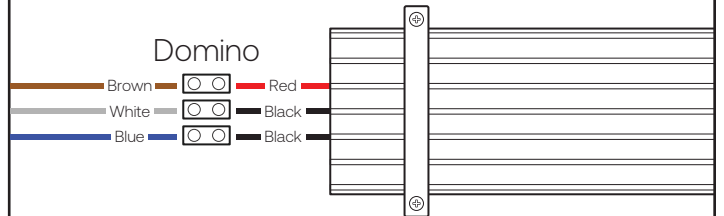
Then, screw on each side of cable to retain it in place.

7 Pass the other side of the flat cable in support A. Screw on each side of cable to retain it in place.

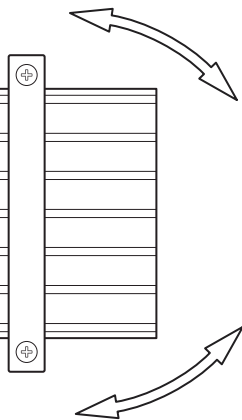
You can balance the luminaire by pushing the cable in canopy and supports.



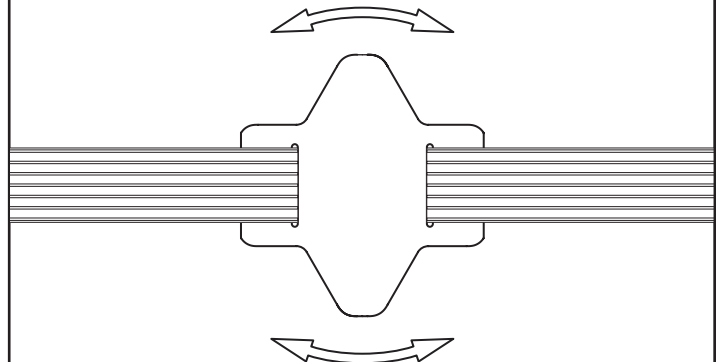
8 Make connections with domino and flat cable in canopy.



9 Leveling can be done by making sure the cable is in line in strain relief.



10 Make sure the light engine is centered in the glass. Leveling can be done by making sure the cable is in line in glass.





État des Lieux 1C

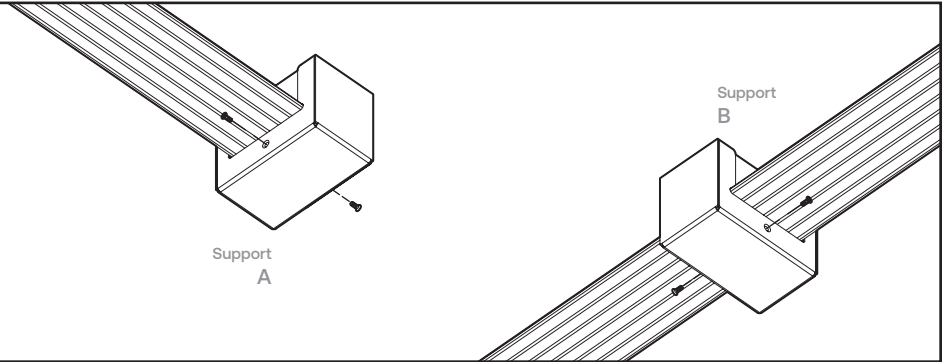
Assembly instructions



Attention: Read and understand these instructions before installing fixture. This fixture is intended for installation in accordance with National Electric Code and local regulation : to assure full compliance with local code and regulations, check with your local electric inspector before installation. This equipment is guaranteed only when used as indicated in the instructions; therefore they should be kept for future reference. Install where luminaire will be protected from likely damage. This fixture is ceiling mounted only.

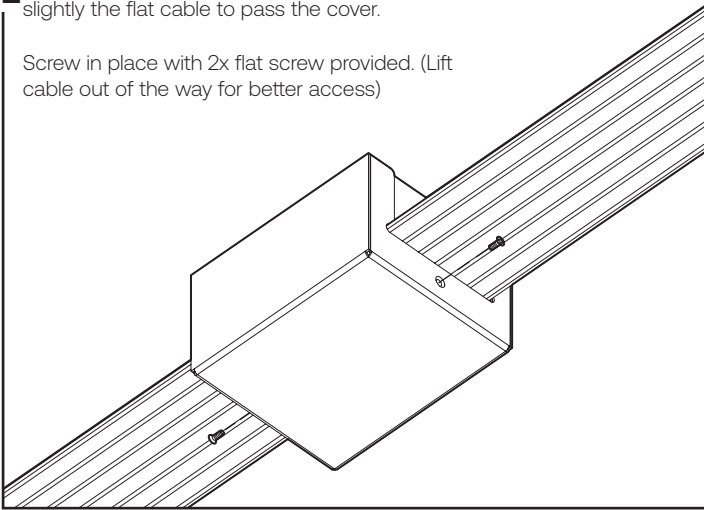
11 Install support A and B cover by sliding up and slightly curving the flat cable to pass the cover.

Screw in place with 4x flat screw provided.
(Lift cable out of the way for better access)



12 Install canopy cover by sliding up and curving slightly the flat cable to pass the cover.

Screw in place with 2x flat screw provided. (Lift cable out of the way for better access)



Turn back on main power at the circuit breaker panel and turn on your État des Lieux.

Make sure everything's working and the color of the light is as required.

If color doesn't match, make sure you made the right connections in step 5.