



État des Lieux 1A

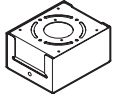
Assembly instructions



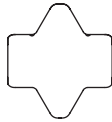
Attention: Read and understand these instructions before installing fixture. This fixture is intended for installation in accordance with National Electric Code and local regulation : to assure full compliance with local code and regulations, check with your local electric inspector before installation. This equipment is guaranteed only when used as indicated in the instructions; therefore they should be kept for future reference. Install where luminaire will be protected from likely damage. This fixture is ceiling mounted only.

Your box should contain

1x Canopy feed box assembly



1x Glass module



1x Flat cable with light



Tools needed, not included

- 2x 8-32 screws for junction box
- 5x wire connectors for junction box
- Screwdriver phillips and flat

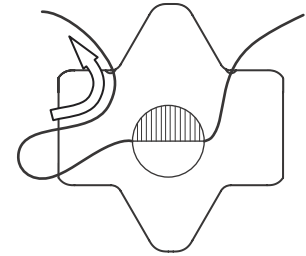
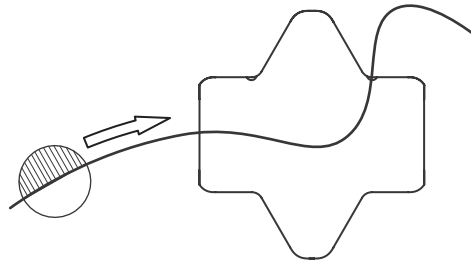
1 First, gently insert the flat cable into the glass globe one side at a time.



Unpack all components from the box and dispose of the packaging. Please recycle.

Make sure the light globe don't rub the glass globe.

Make sure the light face the desired direction.



Adjust and set it aside for next steps

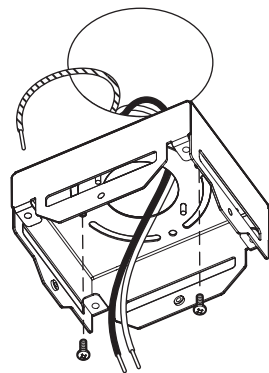
CAUTION Risk of electrocution
Shut off main power at the circuit breaker panel)

2 For ease of installation, you can remove the driver block by unscrewing the 2 wings nuts.

Attache ceiling ground wire to backplate ground screw. Make sure other wires go thru backplate center hole as illustrated.

Screw backplate in junction box with screw 2x 8-32 machine screws (not included).

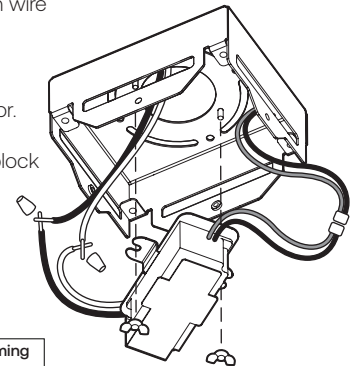
Make sure to install the backplate the side where the strain relief will meet the cable.



3 Make appropriate connexions with wire bundle provided to ceiling wiring.

Make sure red and black wires are connected with the black connector.

If taken off, screw back the driver block in place.

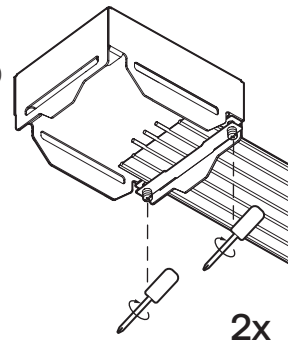


Ceiling wires	Fixture wires	For 0-10V dimming
Live	120V Black	Purple + DC+
Neutral	220V White	Grey - DC-
Ground	Blue	
	Green screw	

4 Pass each flat cables in strain relief in canopy and screw it in place. (Loosen captive screws for better passing of cable)

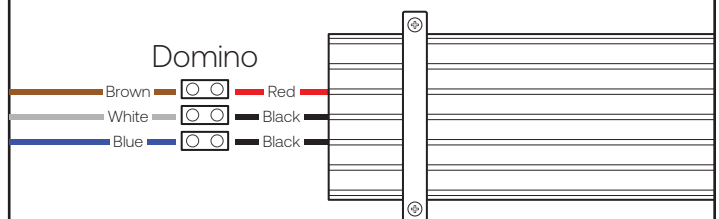
Then, screw on each side of cable to retain it in place.

You can adjust height of luminaire by pushing the cable in canopy.



2x

5 Make connections with domino and flat cable in canopy.



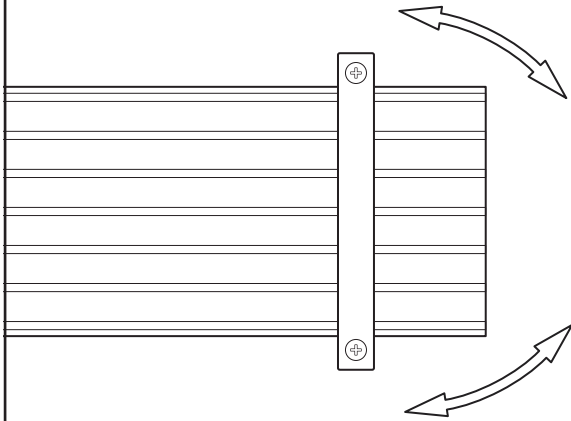
État des Lieux 1A

Assembly instructions

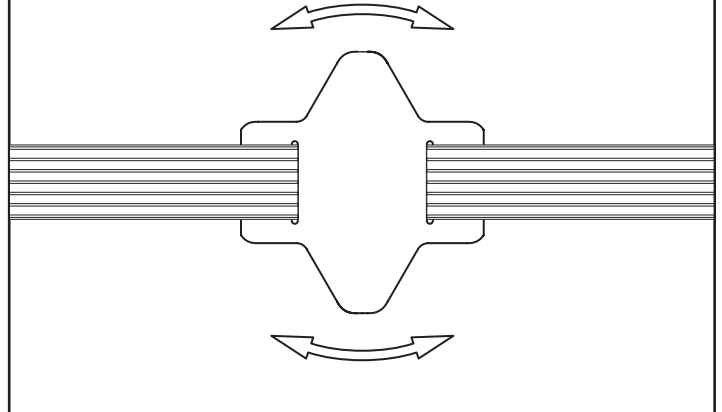


Attention: Read and understand these instructions before installing fixture. This fixture is intended for installation in accordance with National Electric Code and local regulation : to assure full compliance with local code and regulations, check with your local electric inspector before installation. This equipment is guaranteed only when used as indicated in the instructions; therefore they should be kept for future reference. Install where luminaire will be protected from likely damage. This fixture is ceiling mounted only.

6 Leveling can be done by making sure the cable is in line in strain relief.

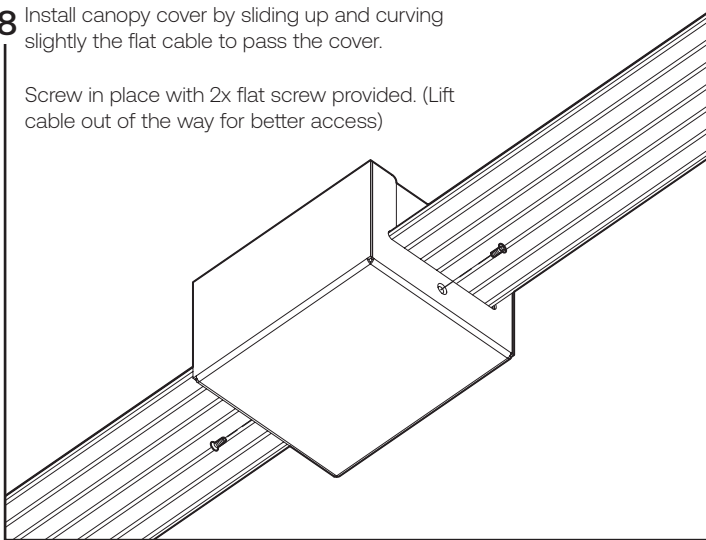


7 Make sure the light engine is centered in the glass. Leveling can be done by making sure the cable is in line in glass.



8 Install canopy cover by sliding up and curving slightly the flat cable to pass the cover.

Screw in place with 2x flat screw provided. (Lift cable out of the way for better access)



Turn back on main power at the circuit breaker panel and turn on your État des Lieux.

Make sure everything's working and the color of the light is as required.

If color doesn't match, make sure you made the right connections in step 5.