



RA Series

# RA Line

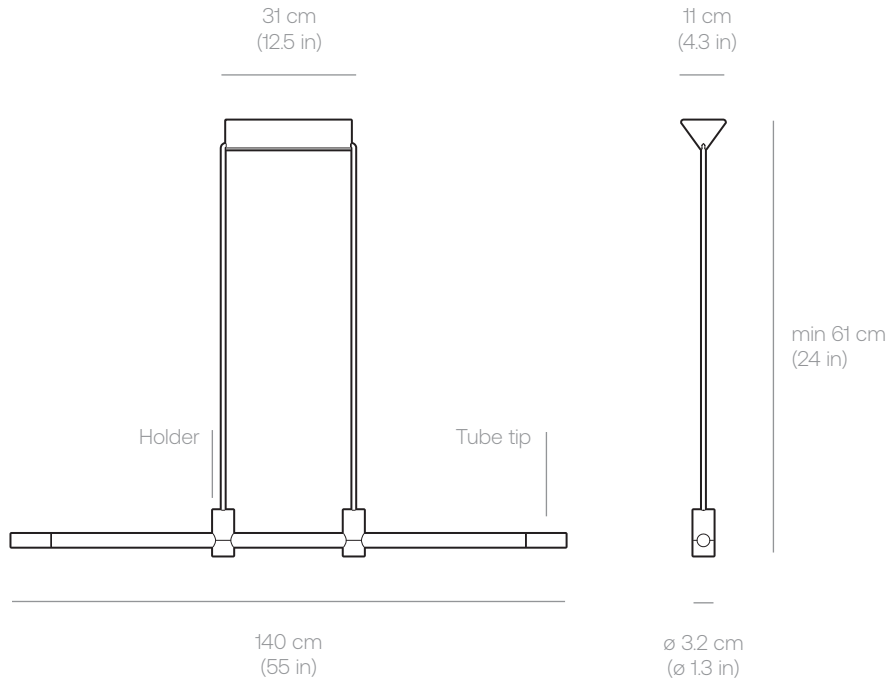
Design by Alexandre Joncas

Line is distinguished by a marked opposition between heaviness and lightness. The assemblage of borosilicate glass tube that pierces the supports accentuates this rivalry. The amber tips emphasize the simplicity of the straight line.



# RA Line

Design by Alexandre Joncas



## Lamping Specifications

Power input : 18,9W  
 Technology : Intergrated LED  
 CCT :  
 LED Dim to warm 2700K to 2300K  
 LED Dim to warm 3000K to 2300K  
 LED Dim to warm 3500K to 2300K  
 LED Fix 2700K / 3000K / 3500K / 4000K  
 Lumen source : 1115 lm  
 CRI : ≥90  
 Input voltage : 120V dim 0-10V / Triac  
 220V-240V dim 0-10V / Triac

## Product Weight

6.8 kg / 15 lbs

## Height

A	B	C	D
61 cm (24 in)	89 cm (35 in)	112 cm (44 in)	201 cm (79 in)


*\*custom height available upon request*

## Certifications





IP20   US Pending

## Materials

### Glass tube tips finishes :

-  Clear Amber
-  Clear Green
-  Frosted Transparent

### Holders finishes :

-  Brass
-  Chrome
-  Glossy Black
-  Glossy White

Order code generator	Serie	Model	Finish	Details	Voltage	Height	QTY
	RA RA	LI Line	CA Clear Amber	BR Brass	11 120V	A 61 cm	.
	.	.	CG Clear Green	CH Chrome	21 220-240V	B 89 cm	.
	.	.	FT Frosted Trans.	BG Glossy Black	.	C 112 cm	.
	.	.	.	WG Glossy White	.	D 201 cm	.
	.	.	.	.	.	Z Custom	.
Order code :	RA	LI	---	---	---	---	---

