



Cé Wall

Assembly instructions



Attention: Read and understand these instructions before installing fixture. This fixture is intended for installation in accordance with National Electric Code and local regulation : to assure full compliance with local code and regulations, check with your local electric inspector before installation. This equipment is guaranteed only when used as indicated in the instructions; therefore they should be kept for future reference. Install where luminaire will be protected from likely damage. This fixture is ceiling mounted only.

Your box should contain

1x assembled luminaire



1x universal plate



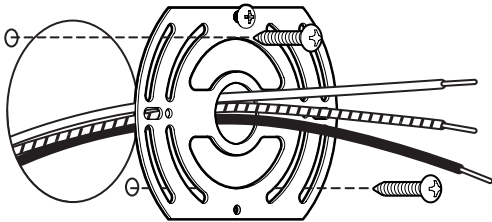
2x cotton gloves



Tools needed, not included

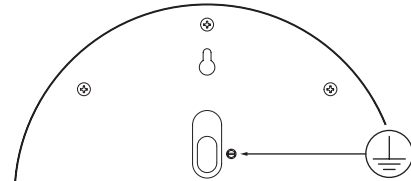
- Junction box and screw
- Wire connectors

- 1 Use appropriate achors and screws (not included) to fasten the universal plate for your installation.



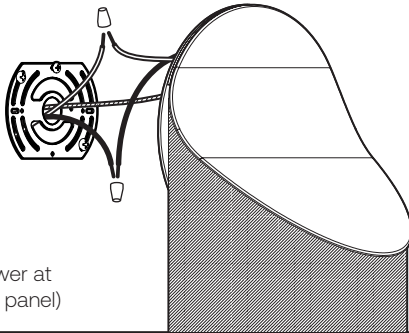
Unpack all components from the box and dispose of the packaging. Please recycle.

- 2 Connect the wall ground wire to the ground screw at the back of the lamp first.



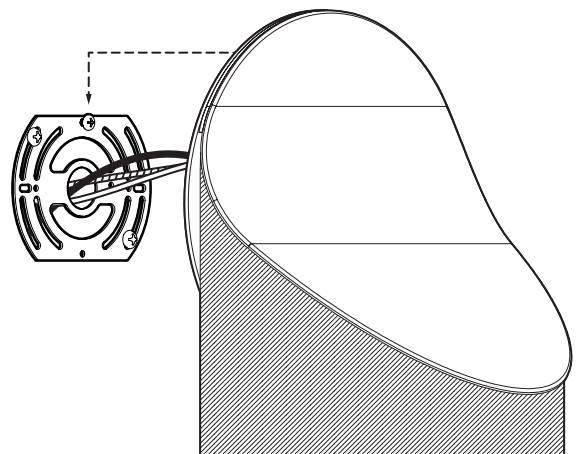
- 3 Make the appropriate electrical connections.

Ceiling wires	Fixture wires
120V	220V
Live	Black Brown
Neutral	White Blue
Ground	Green screw



(Shut off main power at the circuit breaker panel)

- 5 Secure the lamp by making sure the screw is locked in the uper part of the aperture.



- 4 Once connected, mount the lamp on the wall by sliding the head of the screw in the aperture situated above the junction box.

