

Hyphen Wall

ASSEMBLY INSTRUCTIONS



Attention: Read and understand these instructions before installing fixture. This fixture is intended for installation in accordance with National Electric Code and local regulation : to assure full compliance with local code and regulations, check with your local electric inspector before installation. This equipment is guaranteed only when used as indicated in the instructions; therefore they should be kept for future reference. Install where luminaire will be protected from likely damage. This fixture is ceiling mounted only.

YOUR BOX SHOULD CONTAIN

1x assembled luminaire



2x cotton gloves

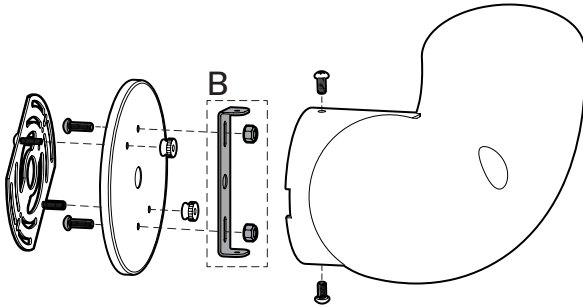


Unpack all components from the box and dispose of the packaging. Please recycle.

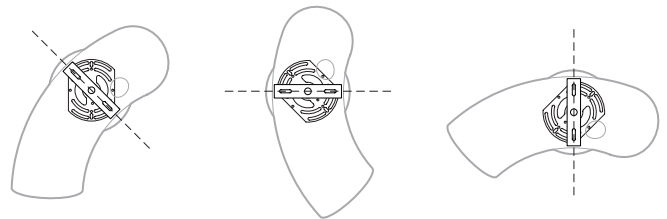
TOOLS NEEDED, NOT INCLUDED

- Junction box and screw
- Wire connectors
- Flat screwdriver
- Phillips screwdriver

- 1 Take off the mounting plate and the canopy from your lamp. For non UL installation, take off the support bracket B and dispose of the universal plante and canopy.

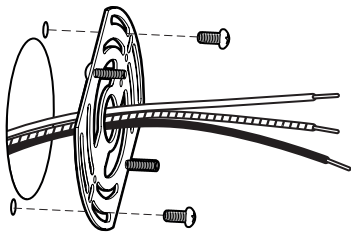


- 2 Choose the orientation of your lamp then plan the position of the support bracket accordingly to it.



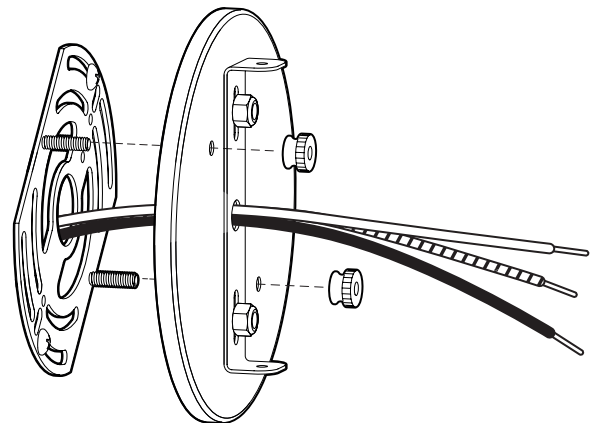
(Shut off main power at the circuit breaker panel)

- 3 Gently pull the wires from the wall thru the mounting plate. Use appropriate screws (not included) to fasten the mounting plate to your junction box.

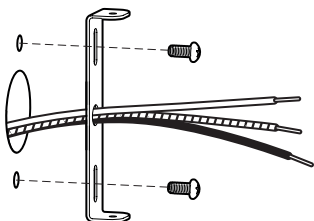


- 4 Carefully pull the wires thru the hole of the canopy.

Install the canopy on the mounting plate by screwing the thumb nuts on the threaded studs.



- 3B Non UL installation
Use appropriate achors and screws (not included) to fasten the support bracket for your installation.



Hyphen Wall

ASSEMBLY INSTRUCTIONS

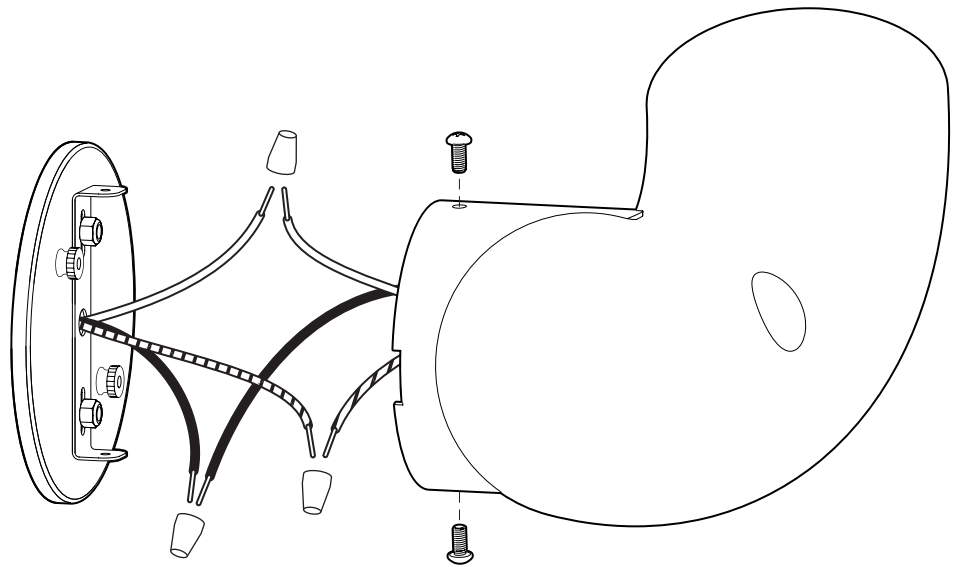


Attention: Read and understand these instructions before installing fixture. This fixture is intended for installation in accordance with National Electric Code and local regulation : to assure full compliance with local code and regulations, check with your local electric inspector before installation. This equipment is guaranteed only when used as indicated in the instructions; therefore they should be kept for future reference. Install where luminaire will be protected from likely damage. This fixture is ceiling mounted only.

5 Make the appropriate connections between the wires of the ceiling and those of the light fixture.

Screw the canopy to universal plate with provided screws.

Turn back on main power at the circuit breaker panel.



Wall wires	Fixture wires	
	120V	220V
Live	Black	Brown
Neutral	White	Blue
Ground	Green	



CAUTION, heads can be heavy. Handle with care.