

# Ra Line

## LED STRIP / GLASS TUBE REPLACEMENT



Attention: Read and understand these instructions before installing fixture. This fixture is intended for installation in accordance with National Electric Code and local regulation : to assure full compliance with local code and regulations, check with your local electric inspector before installation. This equipment is guaranteed only when used as indicated in the instructions; therefore they should be kept for future reference. Install where luminaire will be protected from likely damage. This fixture is ceiling mounted only.

### YOUR BOX SHOULD CONTAIN

For glass tube remplacement

1x Glass tube

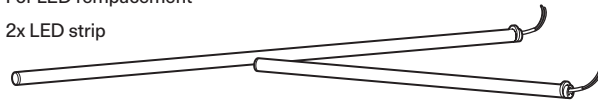


2x Clips



For LED remplacement

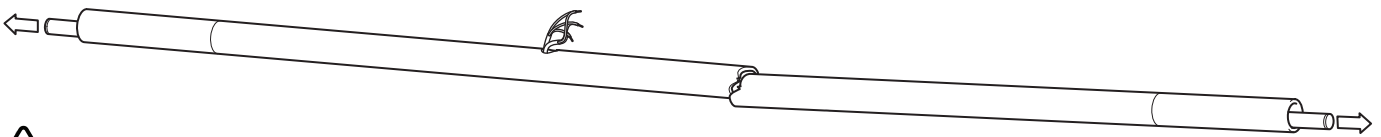
2x LED strip



2x Clips



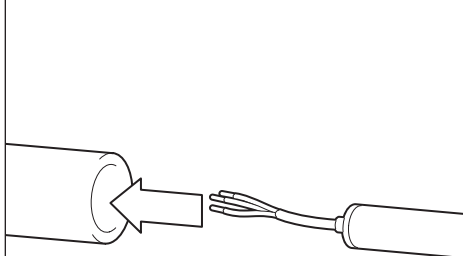
1 Remove the LED strips from the glass tube.



CAUTION

If your glass tube is broken, use gloves to minimize the risk of injury.

2 Slide the two LED strips into the glass tube.



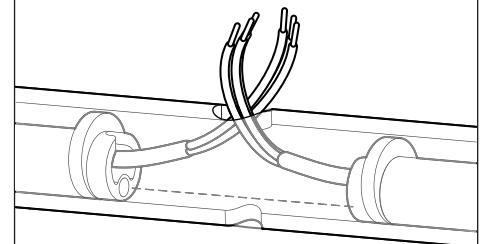
2x

3 Pull the cable through the large hole on top of the glass tube.

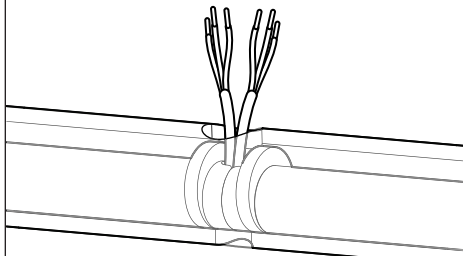


2x

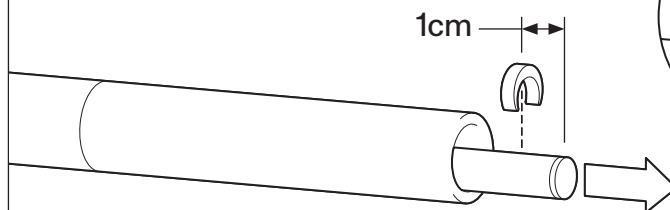
4 Push the two LED strips together until the magnetic caps come together.



5 Make sure the magnetic caps are together and both wires come straight up through the hole in the glass tube.



6 Slide the LED strip one side at a time to install the centering clips 1cm from the end of the LED strip. Be sure to hold the cables securely so you don't pull them into the glass tube.



2x

# Ra Line

## ASSEMBLY INSTRUCTIONS



Attention: Read and understand these instructions before installing fixture. This fixture is intended for installation in accordance with National Electric Code and local regulation : to assure full compliance with local code and regulations, check with your local electric inspector before installation. This equipment is guaranteed only when used as indicated in the instructions; therefore they should be kept for future reference. Install where luminaire will be protected from likely damage. This fixture is ceiling mounted only.

### YOUR BOX SHOULD CONTAIN

1x assembled glass tube



2x weights with cable and canopy



2x cotton gloves

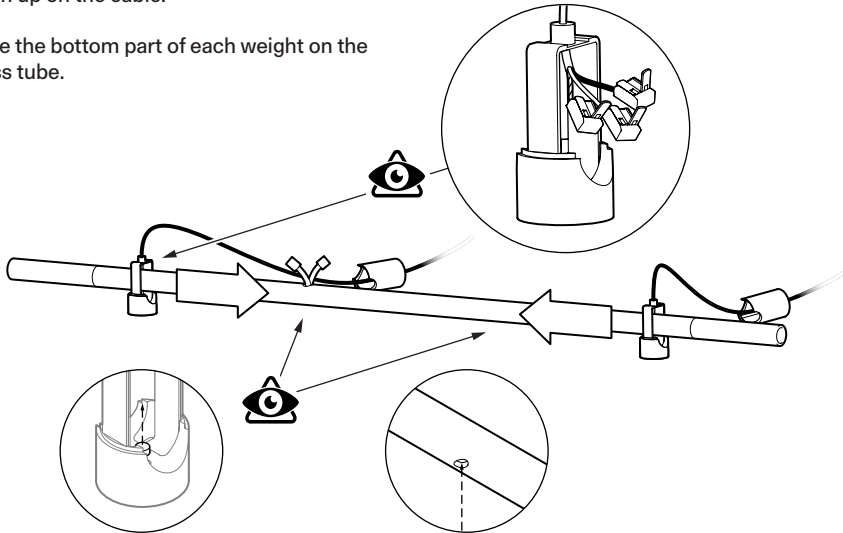


### TOOLS NEEDED, NOT INCLUDED

- Junction box and screw
- Flat head screwdriver
- Wire connectors

1 Take off the cover of the 2 weights by sliding them up on the cable.

Slide the bottom part of each weight on the glass tube.



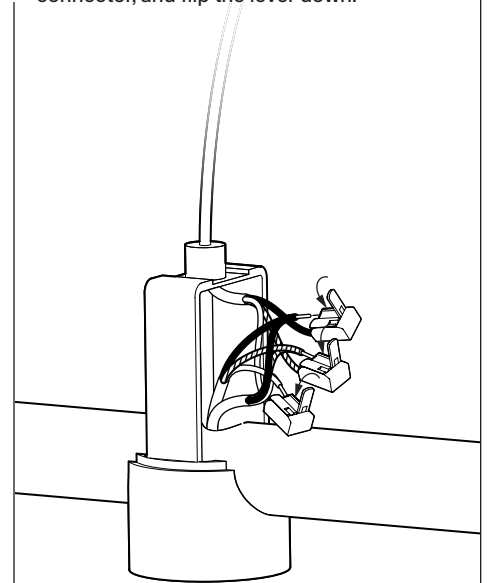
Make sure you put the weight with the connectors over the connectors of the glass tube.

Align the weight's nipple into the bottom holes of the glass tube.



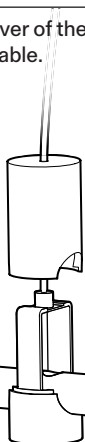
Unpack all components from the box and dispose of the packaging. Please recycle.

2 Push the matching color wire in the proper connector, and flip the lever down.



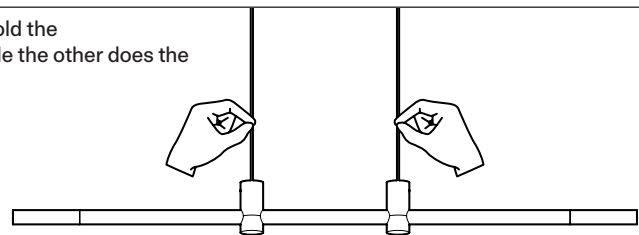
3 Slide back the cover of the 2 weights by sliding it on the cable.

2x

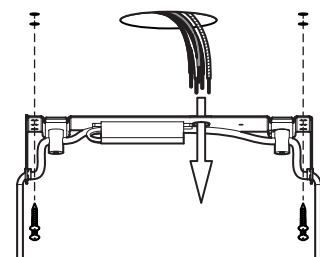


CAUTION  
Do not pinch the cables and connectors in the closed weight.

4 One person needs to hold the fixture by the cable while the other does the installation.



5 Install the canopy on the ceiling using appropriate anchors and screws in the 4 corners. Pass all wires thru the canopy.



# Ra Line

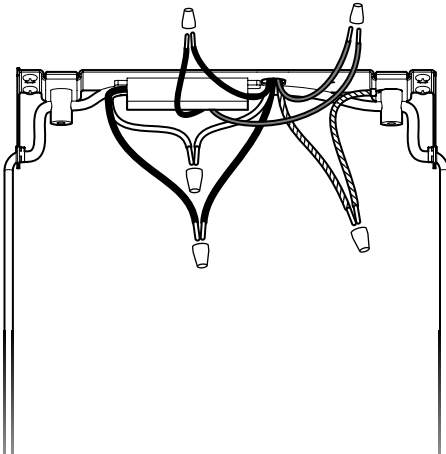
## ASSEMBLY INSTRUCTIONS



Attention: Read and understand these instructions before installing fixture. This fixture is intended for installation in accordance with National Electric Code and local regulation : to assure full compliance with local code and regulations, check with your local electric inspector before installation. This equipment is guaranteed only when used as indicated in the instructions; therefore they should be kept for future reference. Install where luminaire will be protected from likely damage. This fixture is ceiling mounted only.

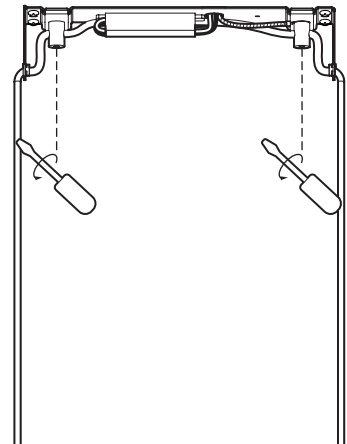
6 Make appropriate connections to the ceiling with the wires bundle provided in the canopy.

(Shut off main power at the circuit breaker panel)

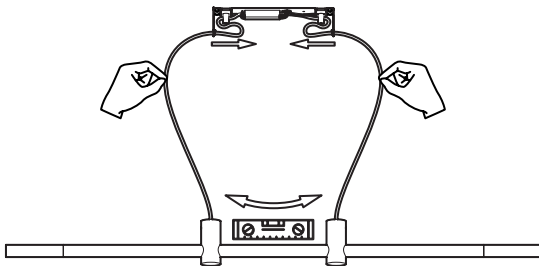


Ceiling wires	Fixture wires	For 0-10V dimming
	120V 220V	
Live	Black Brown	
Neutral	White Blue	Purple + DC+
Ground	Green Ye/Gr	Grey - DC-

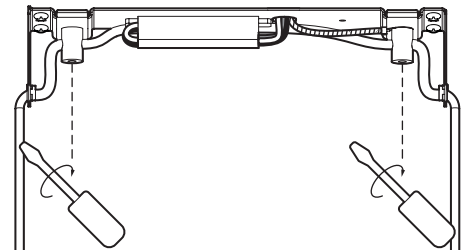
7 Unscrew the strain reliefs to adjust the lamp.



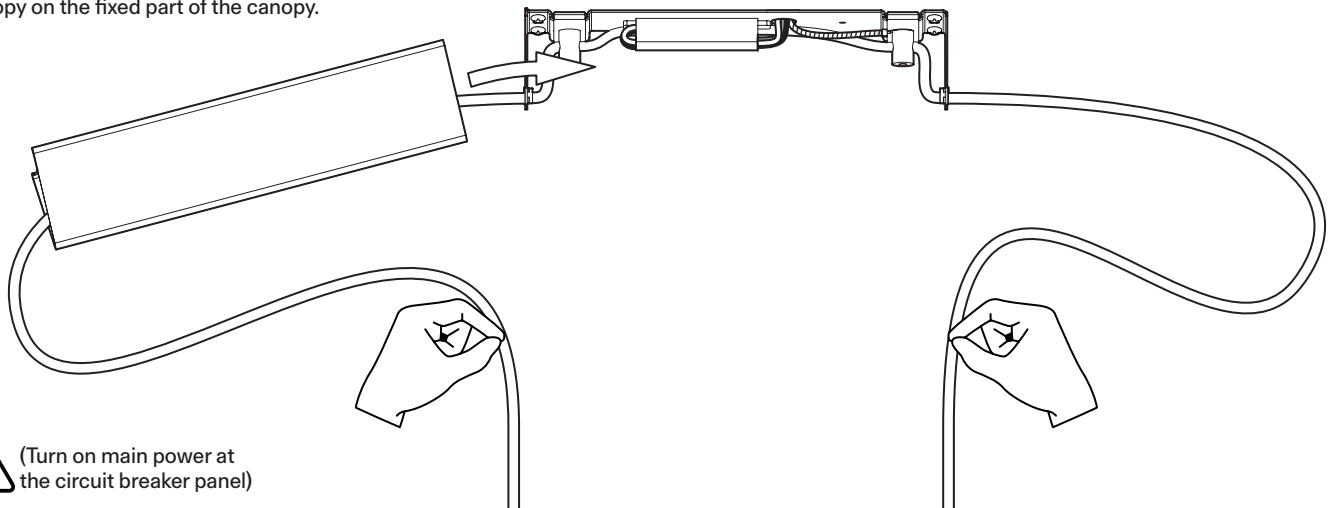
8 Adjust the lamp using a level.



9 Tighten the strain reliefs to secure the lamp.



10 By holding the wires, slide the cover of the canopy on the fixed part of the canopy.



(Turn on main power at the circuit breaker panel)