

Etat des Lieux 3B

ASSEMBLY INSTRUCTIONS



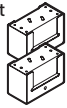
Attention: Read and understand these instructions before installing fixture. This fixture is intended for installation in accordance with National Electric Code and local regulation : to assure full compliance with local code and regulations, check with your local electric inspector before installation. This equipment is guaranteed only when used as indicated in the instructions; therefore they should be kept for future reference. Install where luminaire will be protected from likely damage. This fixture is ceiling mounted only.

YOUR BOX SHOULD CONTAIN

1x canopy feed box
3x canopy non feed box



2x Support box



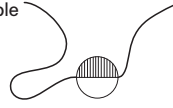
2x flat cable section



3x Glass module



3x Flat cable with light



TOOLS NEEDED, NOT INCLUDED

- 2x 8-32 screws for junction box
- 5x wire connectors for junction box
- Screwdriver phillips and flat

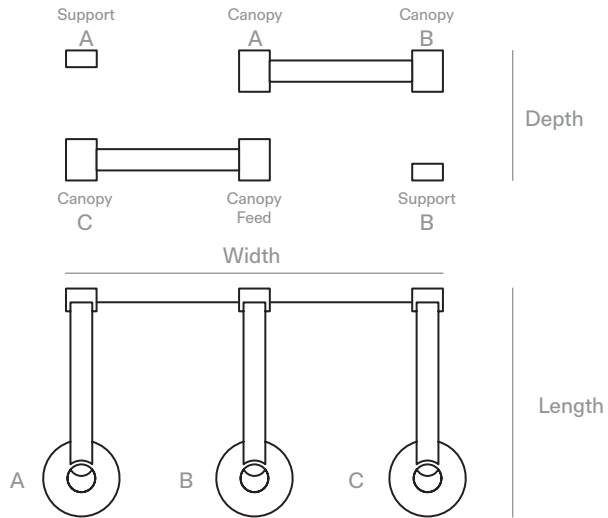
1 Measure, mark, and drill appropriate hole distance to mount backplate of canopies and supports to ceiling. Install anchors if needed (not included).



Unpack all components from the box and dispose of the packaging. Please recycle.

Model	Code	Length (L)	Width (W)	Depth (D)
3B	A	61cm (24in)		25.4cm (10 5/16in)
	B	89cm (35in)	138.2cm (54 3/8)	35.6cm (14 3/16in)
	C	112cm (44in)		43.2cm (17 3/8in)
	D	201cm (79in)		73.7cm (29 3/4in)

*The dimensions are calculated with an angle of 20 deg of the straps, from outside of the canopies and supports.

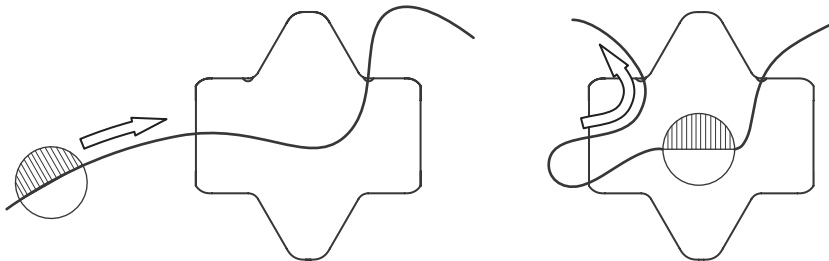


2 Gently insert the flat cable into the glass globe one side at a time.

Make sure the light globe doesn't rub the glass globe.

Make sure the light face the desired direction.

3x



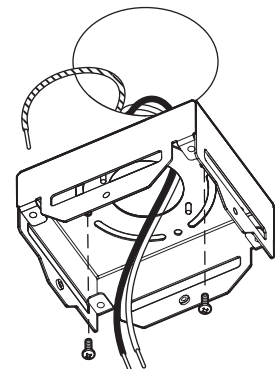
Adjust and set it aside for next steps.

3 For ease of installation, you can remove the driver block by unscrewing the 2 wing nuts.

Attache ceiling's ground wire to backplate ground screw. Make sure other wires go thru backplate center hole as illustrated.

Screw backplate to junction box with the 2 required screws (not included).

Make sure to install the backplate the side where the strain relief will meet the cable.



CAUTION Risk of electrocution
Shut off main power at the circuit breaker panel)

Etat des Lieux 3B

ASSEMBLY INSTRUCTIONS

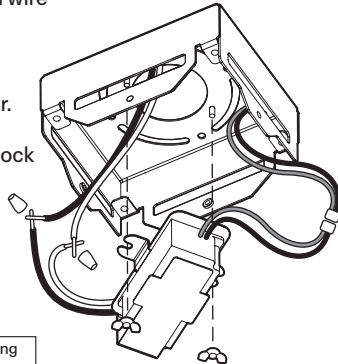


Attention: Read and understand these instructions before installing fixture. This fixture is intended for installation in accordance with National Electric Code and local regulation : to assure full compliance with local code and regulations, check with your local electric inspector before installation. This equipment is guaranteed only when used as indicated in the instructions; therefore they should be kept for future reference. Install where luminaire will be protected from likely damage. This fixture is ceiling mounted only.

4 Make appropriate connexions with wire bundle provided to ceiling wiring.

Make sure red and black wires are connected with the black connector.

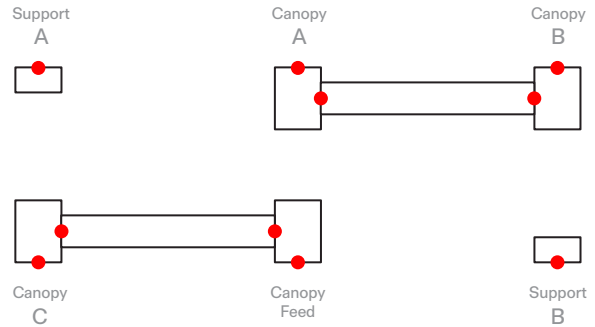
If taken off, screw back the driver block in place.



Ceiling wires	Fixture wires	For 0-10V dimming
Live	120V Black	Purple + DC+
Neutral	220V White	Grey - DC-
Ground	Blue	
	Green screw	

5 Screw all the supports backplate on ceiling. (Screws not included)

● Strain relief

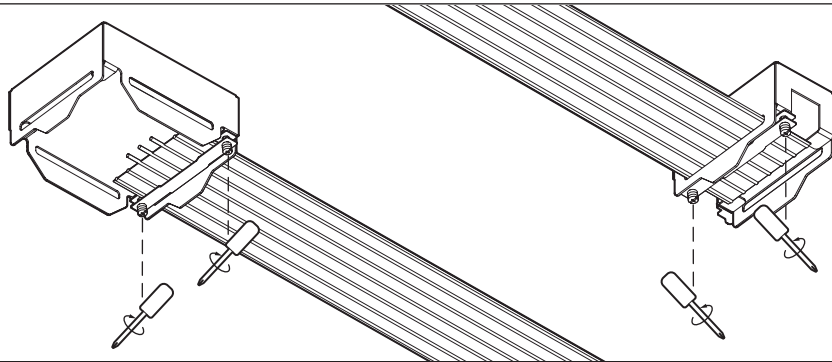


Make sure to install the backplate the side where the strain relief will meet the cable.

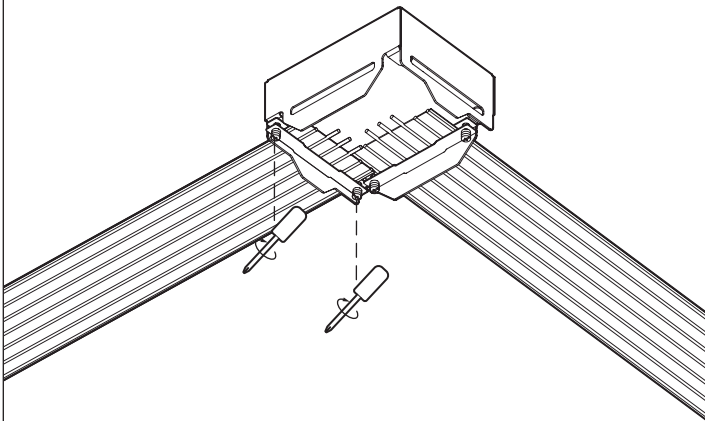
6 Pass proper flat cables in supports and canopies by following this:

Wired side of Head A's flat cable in Canopy C, other side in Support A. Each flat cable's sides of Head B in Canopy feed and Canopy A. Wired side of Head C's flat cable in Canopy B, other side in Support B.

Then, screw the strain relieves on each side of cable to retain it in place.

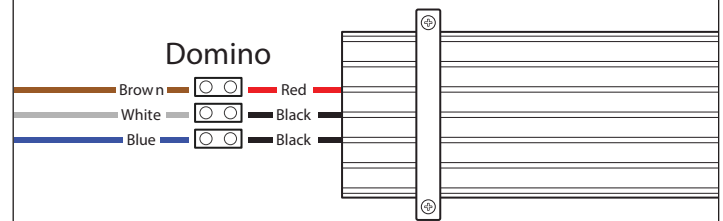


7 Pass the 2 flat cable section in the side of Canopy A and B, and Canopy Feed and Canopy C. Screw the strain relieces on each side of the cable to retain it in place.



8 Make connections with domino and flat cable in canopy.

For canopy A, B, and C use supplied cables with dominos assembly.



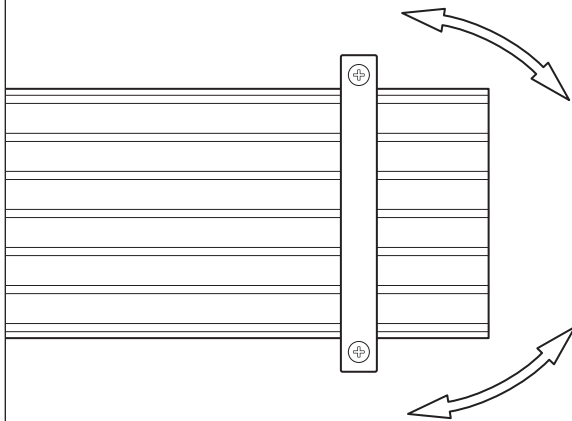
Etat des Lieux 3B

ASSEMBLY INSTRUCTIONS

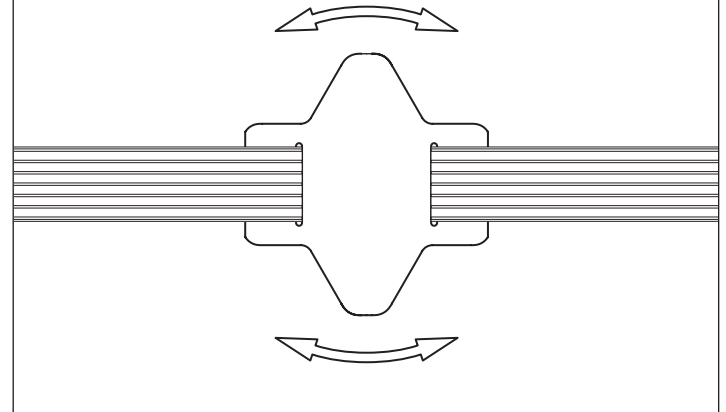


Attention: Read and understand these instructions before installing fixture. This fixture is intended for installation in accordance with National Electric Code and local regulation : to assure full compliance with local code and regulations, check with your local electric inspector before installation. This equipment is guaranteed only when used as indicated in the instructions; therefore they should be kept for future reference. Install where luminaire will be protected from likely damage. This fixture is ceiling mounted only.

- 9 Leveling can be done by making sure the cable is in line in strain relief.

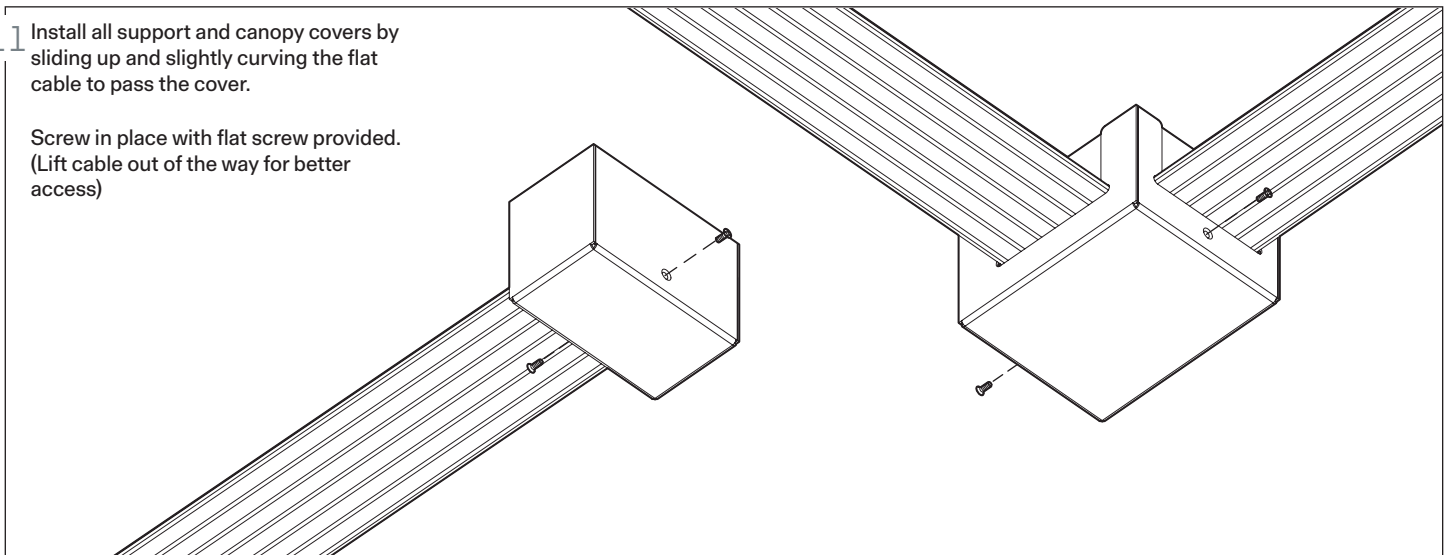


- 10 Make sure the light engine is centered in the glass. Leveling can be done by making sure the cable is in line in glass.



- 11 Install all support and canopy covers by sliding up and slightly curving the flat cable to pass the cover.

Screw in place with flat screw provided.
(Lift cable out of the way for better access)



Turn back on main power at the circuit breaker panel and turn on your État des Lieux.

Make sure everything's working and the color of the light is as required.

If color doesn't match, make sure you made the right connections in step 5.