

Hartau Series

Hartau Wall

The Hartau series brings together classical light fittings that are, at first glance, astonishing in their line and detail. They have been handmade in Canada using frosted glass, brass and painted aluminium.

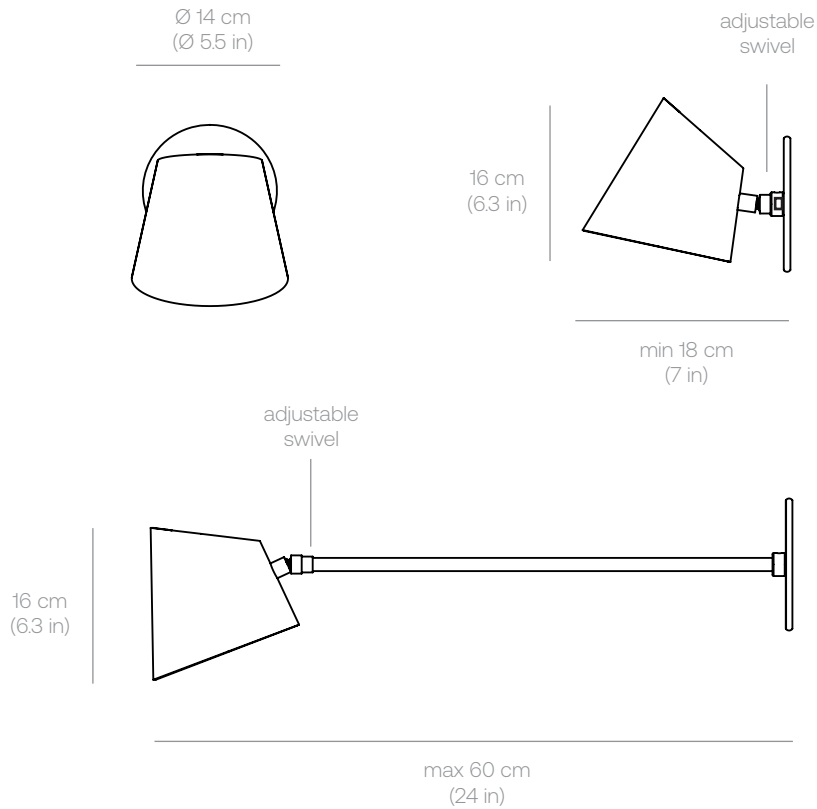
The lampshades are the signature of this collection: with their two openings they offer both direct and indirect light to the wall or the ceiling. Each metal part of the Hartau collection is precision made in Quebec, Canada.

Design by Alexandre Joncas



Hartau Wall

Design by Alexandre Joncas



Lamping Specifications

Input voltage : 120V or 220-240V
 Power input : 8W
 Technology : G9 LED bulb (included)
 CRI : >90
 CCT : 3000K (Warm white)
 Lumen source : 350 lm

Product Weight

0.5 kg / 1.4 lbs

Lenght

A	B	C	D
18 cm (7 in)	30 cm (12 in)	45 cm (18 in)	60 cm (24 in)

**custom length available upon request*




Certifications

IP20





Materials

Exterior finishes :

-  Matte Black
-  Matte White
-  Custom

Swivel and details finishes :

-  Brass
-  Black Oxide

Order code generator	Serie	Model	Finish	Details	Voltage	Height	QTY
HA	Hartau	WA Wall	BL Matte Black	BR Brass	11 120V	A 18 cm	.
.	.	.	WH Matte White	OX Black Oxide	21 220-240V	B 30 cm	.
.	.	.	ZZ Custom	.	.	C 45 cm	.
.	D 60 cm	.
.	Z Custom	.
Order code :	HA	WA	---	---	---	---	---

