

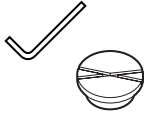
Hartau Table

ASSEMBLY INSTRUCTIONS

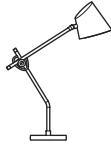


YOUR BOX SHOULD CONTAIN

1x allen key
1x cap



1x assembled
luminaire



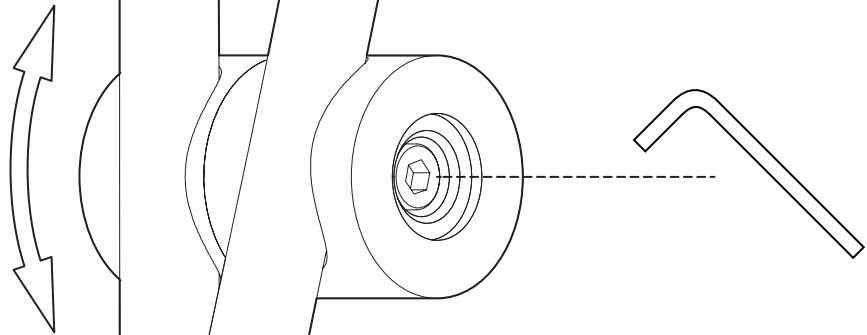
2x cotton
gloves



TOOLS NEEDED, NOT INCLUDED

-Flat head screwdriver

1 By loosening the bolt with the allen key, place the arm at the desired angle.



Unpack all components from the box and dispose of the packaging. Please recycle.

2 Screw back the bolt with the allen key.
Screw the swivel cap.

