

Hartau Double

The Hartau series brings together classical light fittings that are, at first glance, astonishing in their line and detail. They have been handmade in Canada using frosted glass, brass and painted aluminium.

The lampshades are the signature of this collection: with their two openings they offer both direct and indirect light to the wall or the ceiling. Each metal part of the Hartau collection is precision made in Quebec, Canada.

Design by Alexandre Joncas



Hartau Double

LAMPING SPECIFICATIONS

Input voltage : 120V or 220-240V
 Power input : 16W
 Technology : G9 LED bulb (included)
 CRI : ≥90
 CCT : 3000K (Warm white)
 Lumen source : 700lm
 Dimmable : Yes ([Link for compatible dimmer](#))

PRODUCT WEIGHT 1,6 kg / 3.6 lbs

HEIGHT






A	B	C	D
61 cm (24 in)	89 cm (35 in)	112 cm (44 in)	201 cm (79 in)

**custom height available upon request*

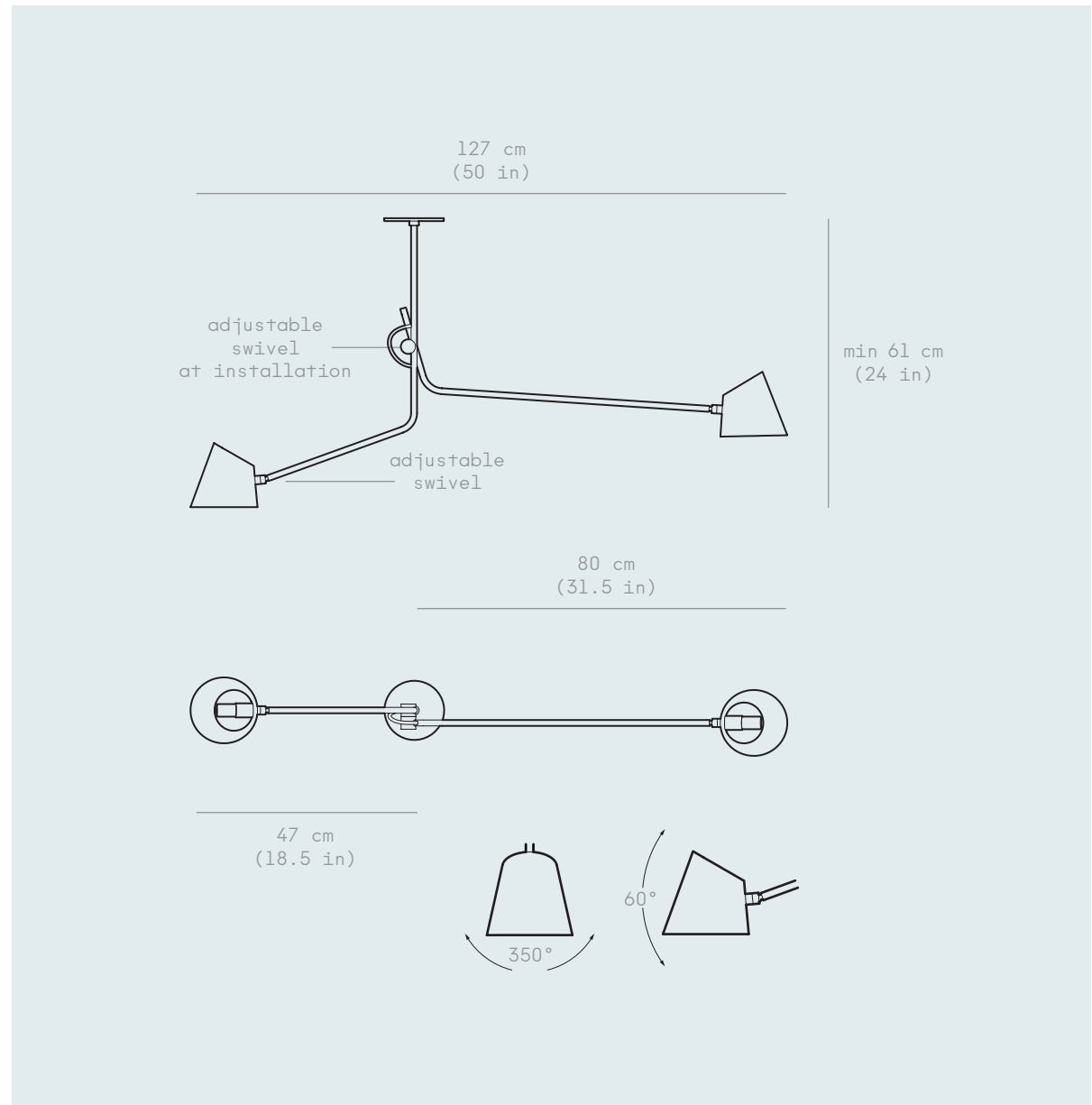
CERTIFICATIONS IP20  
 Designed and made in Canada

MATERIALS

EXTERIOR FINISHES :

-  Matte black
-  Brass
-  Matte white
-  Black Anodized
-  Custom

**Color gradient may vary from one fixture to another*



Order code generator	Serie	Model	Finish	Details	Voltage	Height	QTY
	HA Hartau	DO Double	BL Matte Black WH Matte white ZZ Custom	BR Brass BA Black Anodized	1 120V 2 220-240V	A 61cm B 89cm C 112cm D 201cm Z Custom	· · · · ·
Order code :	HA	DO	---		---		---