

# Hartau Double

## ASSEMBLY INSTRUCTIONS



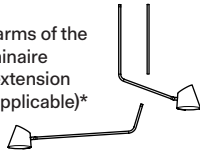
Attention: Read and understand these instructions before installing fixture. This fixture is intended for installation in accordance with National Electric Code and local regulation : to assure full compliance with local code and regulations, check with your local electric inspector before installation. This equipment is guaranteed only when used as indicated in the instructions; therefore they should be kept for future reference. Install where luminaire will be protected from likely damage. This fixture is ceiling mounted only.

### YOUR BOX SHOULD CONTAIN

1x large and  
1x small allen key  
1x M5 screw  
1x Cap



2x arms of the  
luminaire  
1x extension  
(if applicable)\*



2x cotton  
gloves



1x canopy

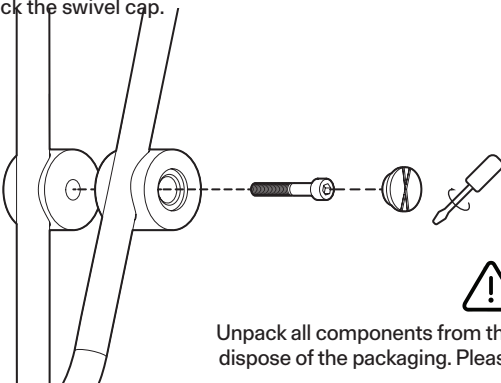


### TOOLS NEEDED, NOT INCLUDED

-Junction box and screw  
-Flat head screwdriver  
-Wire connectors

1 Place the two arms at the desired angle, joining them at the swivel. Place the bolt in the swivel and tighten it with the largest allen key.

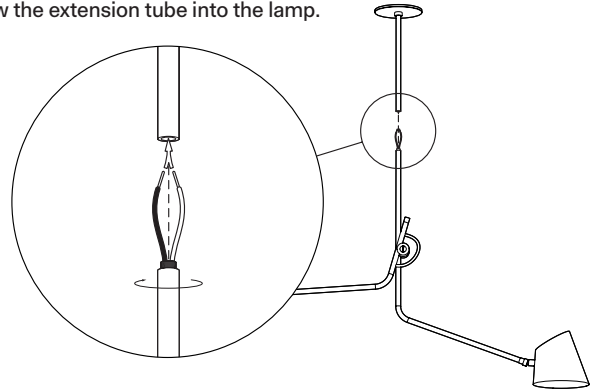
Screw back the swivel cap.



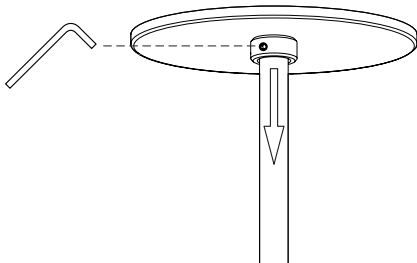
Unpack all components from the box and dispose of the packaging. Please recycle.

⚠ If your lamp has an extension :  
Get the wires from the lamp through the extension tube all the way to the canopy.

Screw the extension tube into the lamp.



2 Using the small allen key, unscrew the ring below the canopy and lower the canopy.

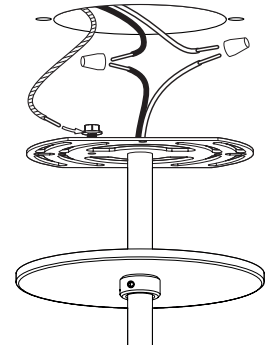


3 First, connect the junction box ground to the green screw on the mounting plate.

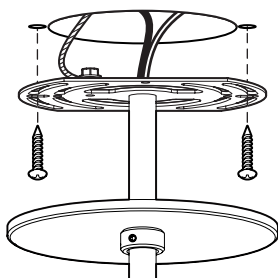
Then, connect the live and neutral wires.

Ceiling wires	Fixture wires	120V	220V
Live	Black	Brown	
Neutral	White	Blue	
Ground	Green screw		

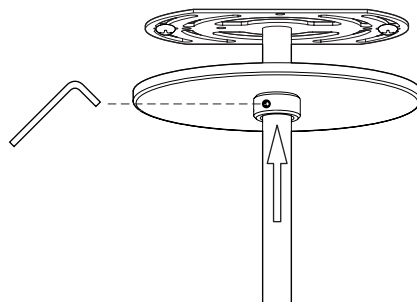
⚠ (Shut off main power at the circuit breaker panel)



4 Use appropriate achors and screws (not included) to fasten the universal plate for your installation



5 Put the canopy back up and tighten the ring with the small allen key.



6 Once the luminaire is installed, arms can be adjusted: unscrew the cap of the swivel and loosen the bolt with the larger allen key.

Delicately adjust the mobile arm. Once in the wanted position tighten the bolt and place back the cap of the swivel.

