



Hartau Series

# Hartau Table

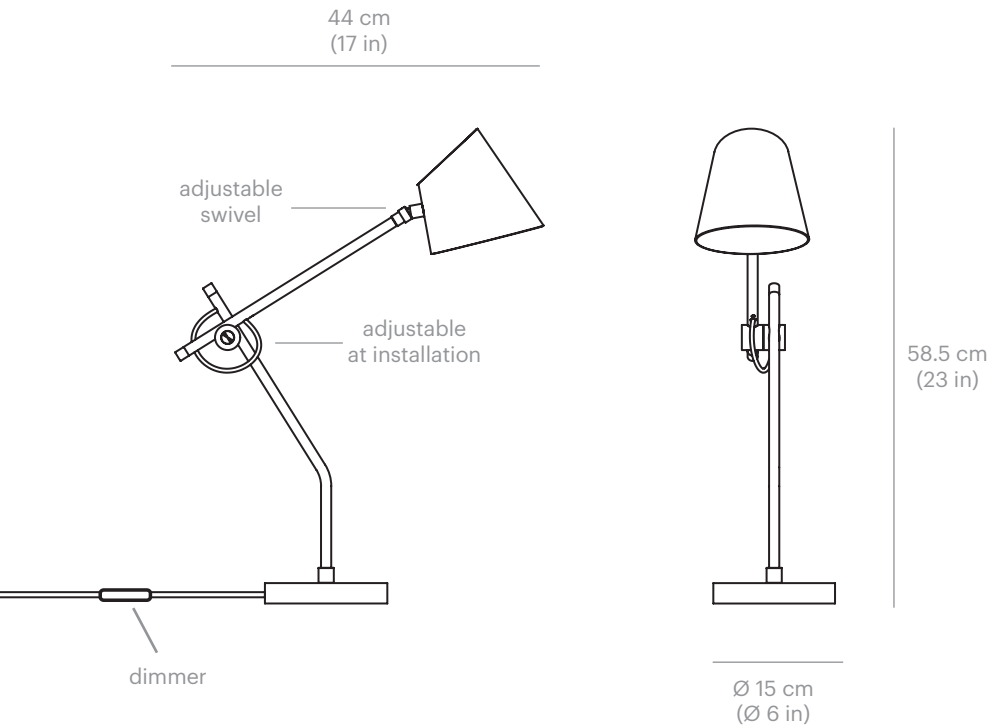
The Hartau series brings together classical light fittings that are, at first glance, astonishing in their line and detail. They have been handmade in Canada using frosted glass, brass, painted aluminium and black marble.

The lampshades are the signature of this collection: with their two openings they offer both direct and indirect light. Each metal part of the Hartau collection is precision made in Quebec, Canada.

Design by Alexandre Joncas

# Hartau Table

Design by Alexandre Joncas



## Lamping Specifications

Input voltage : 120V or 220-240V  
 Power input : 8W  
 Technology : G9 LED bulb (included)  
 CRI : >90  
 CCT : 3000K (Warm white)  
 Lumen source : 350 lm

## Product Weight

1.6 kg / 3.6 lbs

## Construction




Black marble base  
 Black wire with dimmer on cord

## Certifications

IP20   pending

## Materials

### Exterior finishes :

-  Matte Black
-  Matte White
-  Custom

### Swivel & details finishes :

-  Brass
-  Chrome
-  Black Oxide

Order code generator	Serie	Model	Finish	Details	Voltage	QTY
	HA Hartau	TA Table	BL Matte Black	BR Brass	11 120V	.
	.	.	WH Matte White	CH Chrome	21 220-240V	.
	.	.	ZZ Custom	OX Black Oxide	.	.
Order code :	HA	TA	---	---	---	---

